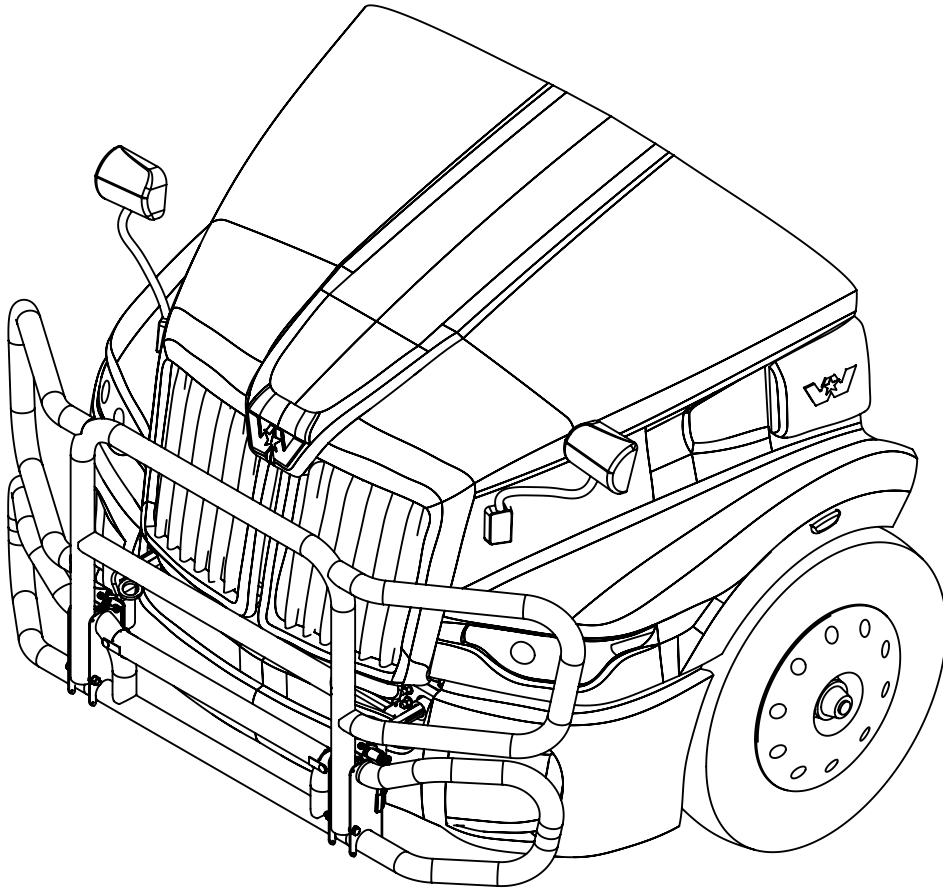




INSTALLATION GUIDE

MODEL NUMBER: WS17MG1/WS17MG1R/WS17MG2/WS17MG2R/WS17MG3/WS17MG3R
TRUCK MODEL: 2023 WESTERN STAR 57X SET BACK AXLE (TOW RECEIVERS)



IMPORTANT INFORMATION

- THIS GUIDE IS ONLY APPLICABLE TO PRODUCTS AND TRUCK MODELS SPECIFIED.
- THE CORRECT SIZE AND GRADE OF HARDWARE SPECIFIED IN THIS GUIDE MUST BE USED.
- CHECK ALL MOUNTING POINTS AFTER THE FIRST 5000KM'S IN SERVICE AND PERIODICALLY THERE AFTER. RE-TORQUE IF NECESSARY.
- RECOMMENDED ADDING THREADLOCKER (LOCTITE BLUE 242) TO ALL THREADS BEFORE INSTALLING.
- ALL MAGNUM PRODUCTS MUST BE INSTALLED ACCORDING TO THIS INSTALLATION GUIDE. ANY DEVIATIONS MAY RESULT IN VOID OF WARRANTY.
- ANY ALTERATIONS TO THE PRODUCT MAY RESULT IN VOID OF WARRANTY.

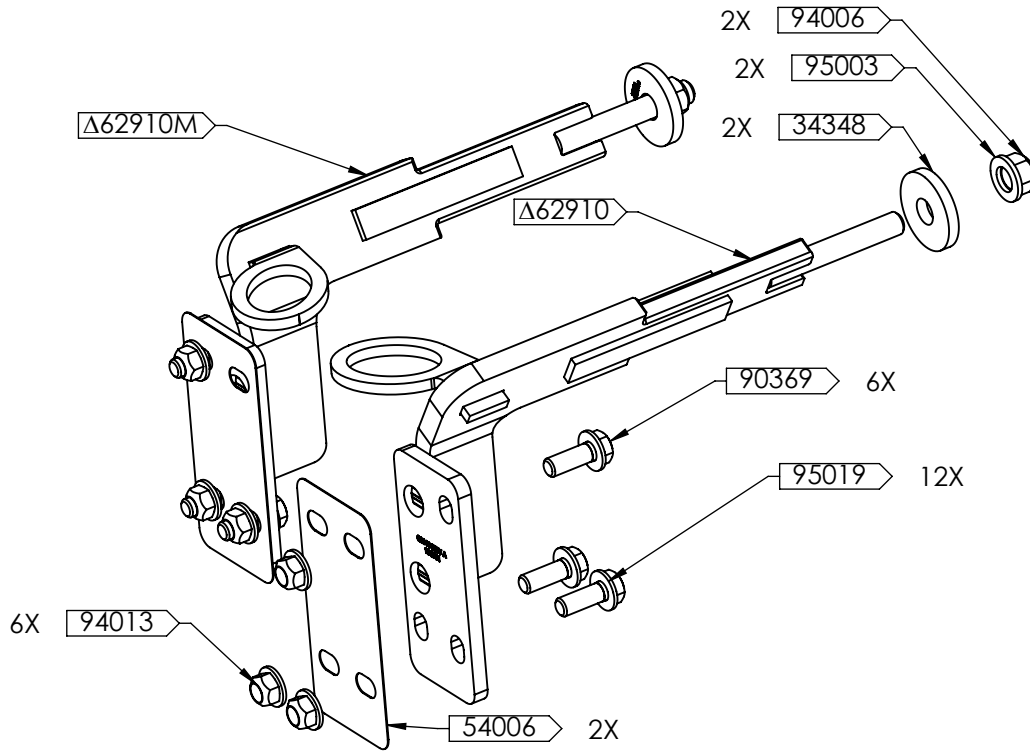
SAFETY INFORMATION

- PROPER PERSONAL PROTECTIVE EQUIPMENT MUST BE WORN WHEN INSTALLING THIS PRODUCT.
- SOME PARTS OF THIS PRODUCT MAY BE HEAVY OR AWKWARD TO HANDLE. USE CAUTION WHEN HANDLING.



INCLUDED PARTS

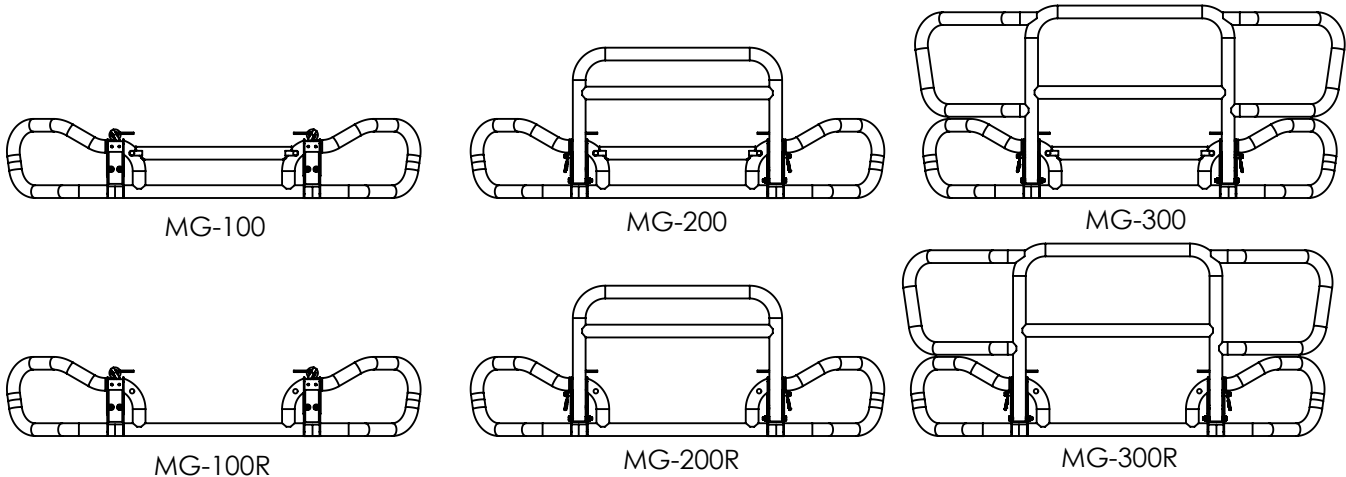
BK-017 BRACKET KIT AND MOUNT HARDWARE



ITEM#	DESCRIPTION	MAT'L	DIMENSIONS	WT. EA	STOCK #	QTY.
34348	WASHER PLATE	44W	3/8" PL X 2 5/8" DIA.	.51	111274	2
54006	MODULAR GRILLE GUARD SHIM	HDPE	1/32" X 4" X 8 3/8"	.033	128503	2
62910	MOUNT BRACKET WELDMENT		ASSEMBLY	15.	131551	1
62910M	MOUNT BRACKET WELDMENT - MIRROR		ASSEMBLY	15.	131552	1
90369	HEX HEAD CAPSCREW - PLATED	GR. 8	5/8" NC X 1 3/4"	.23	101974	6
94006	STOVER NUT - PLATED	GR. C	3/4" NC	.12	101477	2
94013	STOVER NUT - PLATED	GR. C	5/8" NC	.063	101481	6
95003	FLAT WASHER - PLATED	GR. 8	3/4" DIA SAE	.055	102169	2
95019	FLAT WASHER - PLATED	GR. 8	5/8" DIA SAE	.035	102172	12

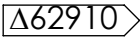
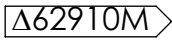
GUARD OPTIONS: MG-100/MG-100R/MG-200/MG-200R/MG-300/MG-300R

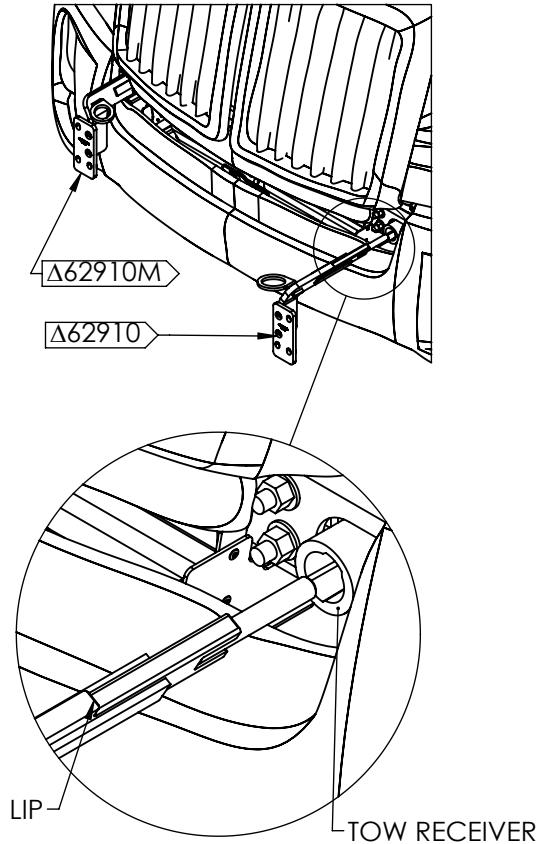
SIX DIFFERENT OPTIONS OF GUARD CAN BE INSTALLED ON THIS TRUCK USING THE BK-017 BRACKET KIT. THE INSTALLATION OF THE GUARD IS THE SAME ACROSS ALL SIX MODELS. PLEASE REFER TO DRAWING #54268 FOR INSTALLING THE 200T AND 300T ON THE MG-100/MG-100R IF REQUIRED.

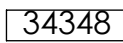

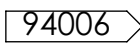



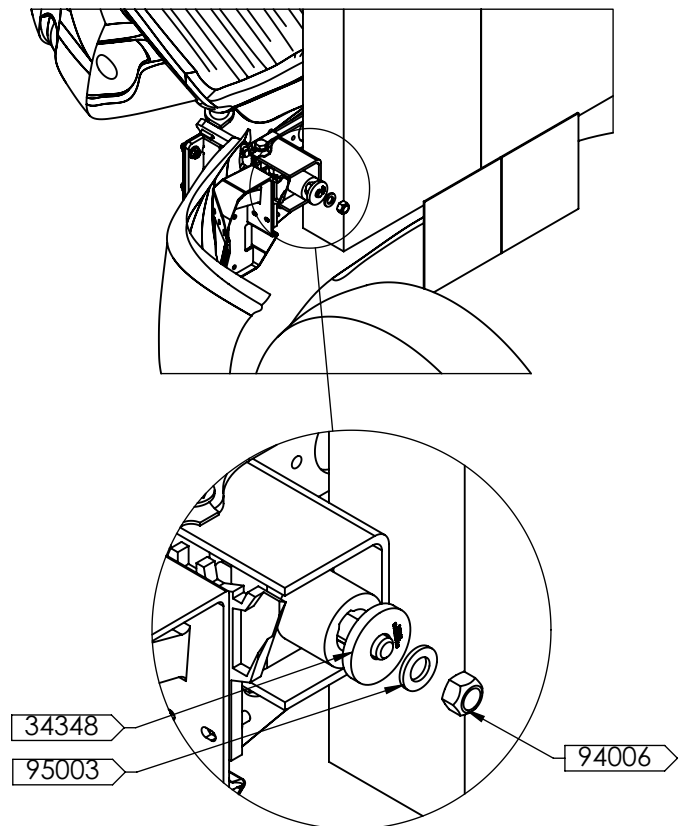


INSTALLATION PROCEDURE

1. INSTALL THE MOUNT BRACKET WELDMENTS INTO THE TOW RECEIVERS.  IS INSTALLED ON DRIVER SIDE AND  IS INSTALLED ON PASSENGER SIDE. THE LIP ON THE MOUNT BRACKET WELDMENTS SHOULD CONTACT THE FRONT FACE OF THE TOW RECEIVER.



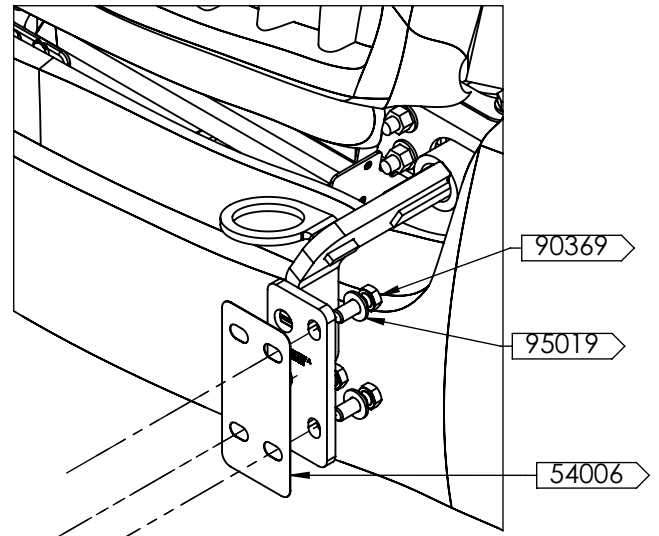
2. OPEN THE TRUCK HOOD AND INSTALL THE  WASHER PLATE ,  WASHER AND  NUT IN THE ORDER SHOWN IN THE FIGURE. TIGHTEN THE  NUT TO 200 FT-LBS (LUBRICATED) / 267 FT-LBS (DRY). REPEAT FOR OTHER SIDE OF TRUCK.





INSTALLATION PROCEDURE

3. CLOSE THE HOOD AND POSITION THE **54006** SHIM IN FRONT OF BOTH MOUNT BRACKETS AS SEEN IN THE FIGURE. TO KEEP THE SHIM IN POSITION INSERT A COUPLE OF THE **90369** BOLTS WITH A **95019** WASHER THROUGH THE MOUNT BRACKET AND SHIM.



4. ATTACH THE MG-100B TO THE MOUNTING BRACKETS USING THE TOP TWO ROWS OF SLOTS ON THE GUARD. USE THE FOLLOWING HARDWARE TO ATTACH THE GUARD:

90369 6X BOLTS

95019 12X WASHERS

94013 6X NUTS

TORQUE TO 159 FT-LBS

(LUBRICATED) / 212 FT-LBS (DRY).

