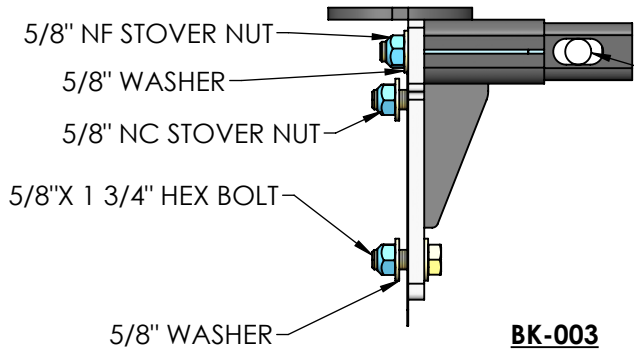
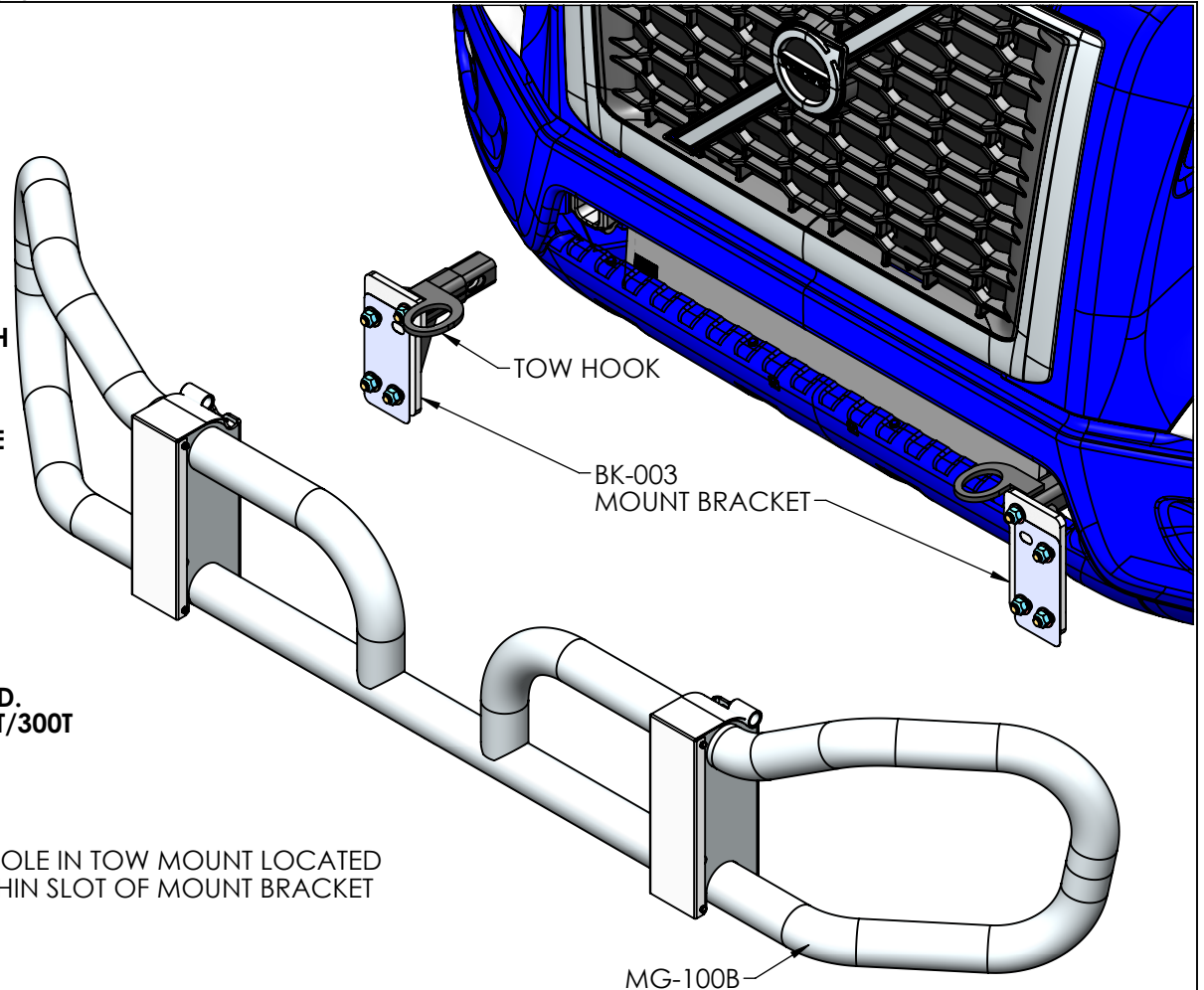


INSTALLING MG-100B/200B/300B

- 1) ENSURE THE HOLE IN THE TOW MOUNTS ARE LOCATED WITHIN THE SLOT OF THE MOUNT BRACKET BEFORE INSTALLING
- 2) REMOVE FACTORY TOW PINS FROM TRUCK
- 3) INSERT MOUNT BRACKETS INTO THE TOW SOCKETS (TOW HOOKS SHOULD BE ON THE INSIDE OF THE BUMPER)
- 4) SLIDE FACTORY TOW PINS OR EQUIVALENT BOLT THROUGH THE TRUCK FRAME AND MOUNT BRACKETS (MUST GO THROUGH THE HOLE IN THE TOW MOUNT)
- 5) TIGHTEN THE 5/8" NF STOVER NUT TO 128 FT-LBS TO SECURE THE BRACKETS IN PLACE
- 6) ATTACH THE MG-100B TO THE MOUNT BRACKETS USING THE TOP TWO ROWS OF SLOTS.
HARDWARE: 5/8" NC X 1 3/4" BOLT, 5/8" WASHER & 5/8" STOVER NUT
TIGHTEN TO 159 FT-LBS
(6 PLACES)
- 7) THE GUARD IS INSTALLED. THE HOOD CAN NOW BE CLOSED.
REFER TO DRAWING #54268 FOR INSTALLING THE MG-200T/300T IF REQUIRED.



**BK-003
MOUNTING BRACKET**

1. HOLE IN TOW MOUNT LOCATED WITHIN SLOT OF MOUNT BRACKET

**MAGNUM TRAILER
&
EQUIPMENT INC.**



FRACTIONS CHART

1/32	.03125	9/32	.28125	17/32	.53125	25/32	.78125
1/16	.0625	5/16	.3125	9/16	.5625	13/16	.8125
3/32	.09375	11/32	.34375	19/32	.59375	27/32	.84375
1/8	.125	3/8	.375	5/8	.625	7/8	.875
5/32	.15625	13/32	.40625	21/32	.65625	29/32	.90625
3/16	.1875	7/16	.4375	11/16	.6875	15/16	.9375
7/32	.21875	15/32	.46875	23/32	.71875	31/32	.96875
1/4	.25	1/2	.5	3/4	.75		

UNLESS OTHERWISE SPECIFIED
DIMENSIONS ARE IN INCHES
TOLERANCES ARE:
FRACTIONS ANGLES
+/- 1/16" +/- 1°
.XX" .XXX"
+/- 0.03" +/- 0.005"

DIMENSIONS TO SHARP POINTS

SHEET NAME Sheet1		TITLE MODULAR GUARD ON VOLVO VNR			
CURRENT CUSTOMER		STOCK NUMBER		VENDOR NUMBER	
WO#		SCALE 1:12		WEIGHT - LB. 90.	
DRAWN BY MD		DRAWN DATE 3/23/2021		CHECKED BY LS	
MODELLER MD		CHECKED DATE 3/24/2021		REV. B	
DRAWING NUMBER AA-53465				NUMBER OF SHEETS 1	