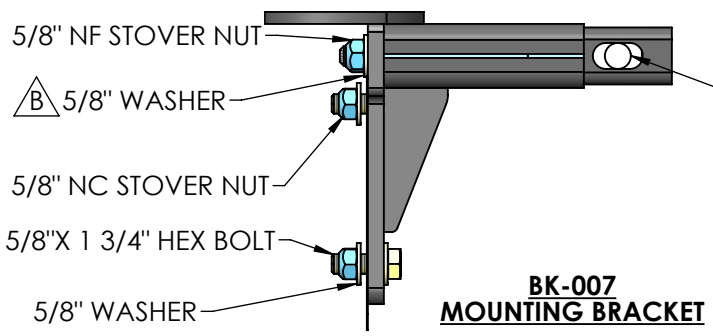
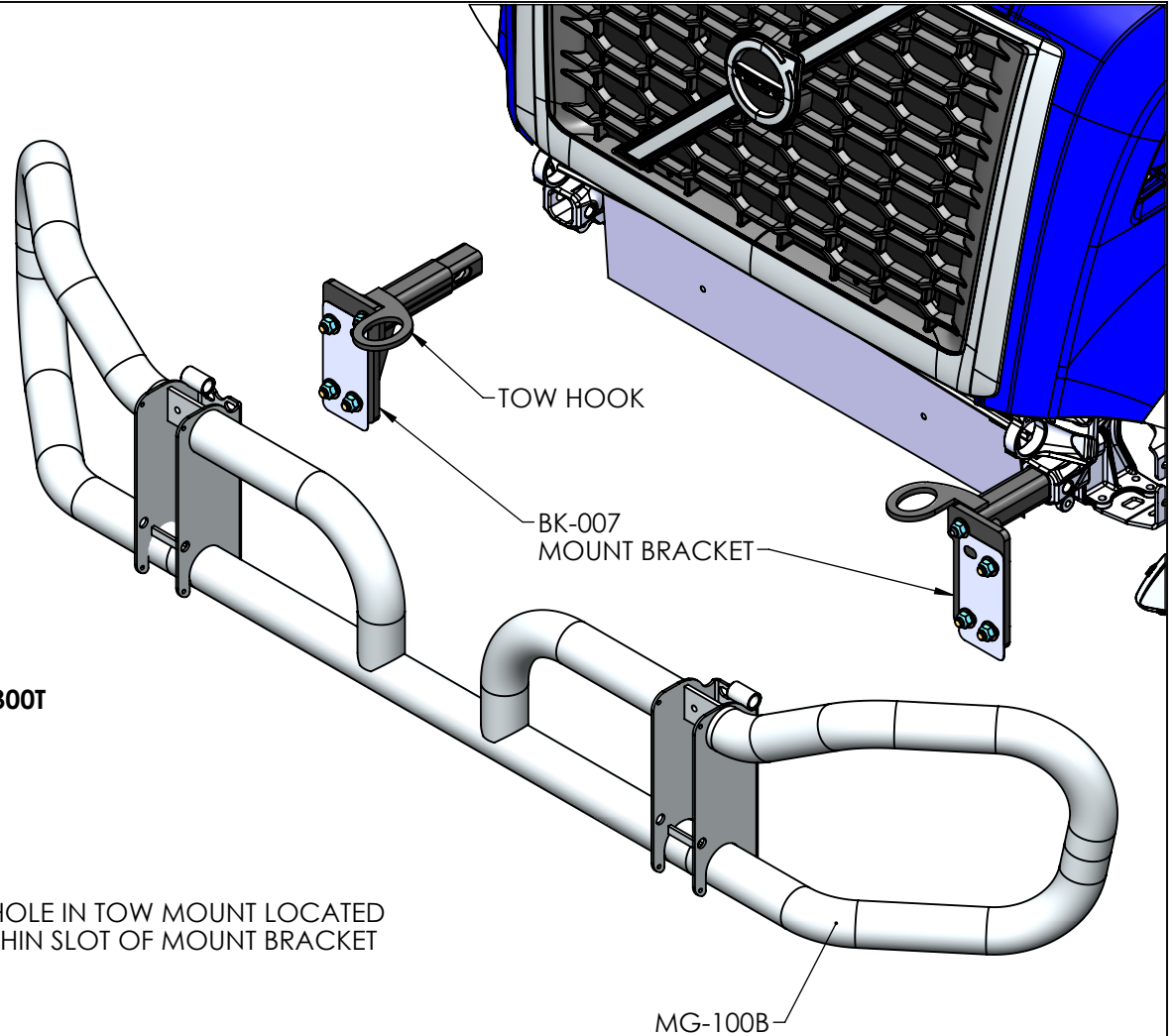


**INSTALLING MG-100B/200B/300B**

- 1) ENSURE THE HOLE IN THE TOW MOUNTS ARE LOCATED WITHIN THE SLOT OF THE MOUNT BRACKET BEFORE INSTALLING
- 2) REMOVE FACTORY TOW PINS FROM TRUCK
- 3) INSERT MOUNT BRACKETS INTO THE TOW SOCKETS (TOW HOOKS SHOULD BE ON THE INSIDE OF THE BUMPER)
- 4) SLIDE FACTORY TOW PINS OR EQUIVALENT BOLT THROUGH THE TRUCK FRAME AND MOUNT BRACKETS (MUST GO THROUGH THE HOLE IN THE TOW MOUNT)
- 5) TIGHTEN THE 5/8" NF STOVER NUT TO 128 FT-LBS TO SECURE THE BRACKETS IN PLACE
- 6) ATTACH THE MG-100B TO THE MOUNT BRACKETS USING THE TOP TWO ROWS OF SLOTS.  
HARDWARE: 5/8" NC X 1 3/4" BOLT, 5/8" WASHER & 5/8" STOVER NUT  
TIGHTEN TO 159 FT-LBS  
(6 PLACES)
- 7) THE GUARD IS INSTALLED. THE HOOD CAN NOW BE CLOSED. REFER TO DRAWING #54268 FOR INSTALLING THE MG-200T/300T IF REQUIRED.



1. HOLE IN TOW MOUNT LOCATED WITHIN SLOT OF MOUNT BRACKET



FRACTIONS CHART											
1/32	.03125	9/32	.28125	17/32	.53125	25/32	.78125	1/16	.0625	5/16	.3125
3/32	.09375	11/32	.34375	19/32	.59375	27/32	.84375	9/16	.5625	13/16	.8125
1/8	.125	3/8	.375	5/8	.625	7/8	.875	19/32	.59375	27/32	.84375
5/32	.15625	13/32	.40625	21/32	.65625	29/32	.90625	5/8	.625	7/8	.875
3/16	.1875	7/16	.4375	11/16	.6875	15/16	.9375	7/8	.875	15/16	.9375
7/32	.21875	15/32	.46875	23/32	.71875	31/32	.96875	15/16	.9375	31/32	.96875
1/4	.25	1/2	.5	3/4	.75			3/4	.75		

UNLESS OTHERWISE SPECIFIED DIMENSIONS ARE IN INCHES  
TOLERANCES ARE:  
FRACTIONS ANGLES  
+/- 1/16" +/- 1°  
.XX" .XXX"  
+/- 0.03" +/- 0.005"  
DIMENSIONS TO SHARP POINTS

SHEET NAME Sheet1	TITLE MODULAR GUARD ON 2017 VOLVO VNL				
CURRENT CUSTOMER	STOCK NUMBER	VENDOR NUMBER		WEIGHT - LB. 95.7	
WO#	DRAWN BY MD	DRAWN DATE 5/1/2020	CHECKED BY LS	CHECKED DATE 3/24/2021	REV. B
SCALE 1:12	MODELLER MD	DRAWING NUMBER AA-54485			NUMBER OF SHEETS 1