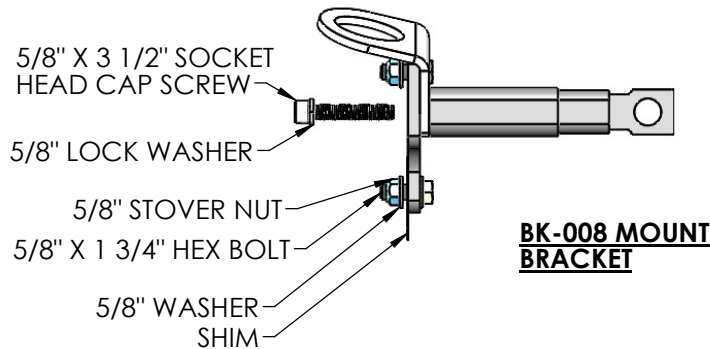
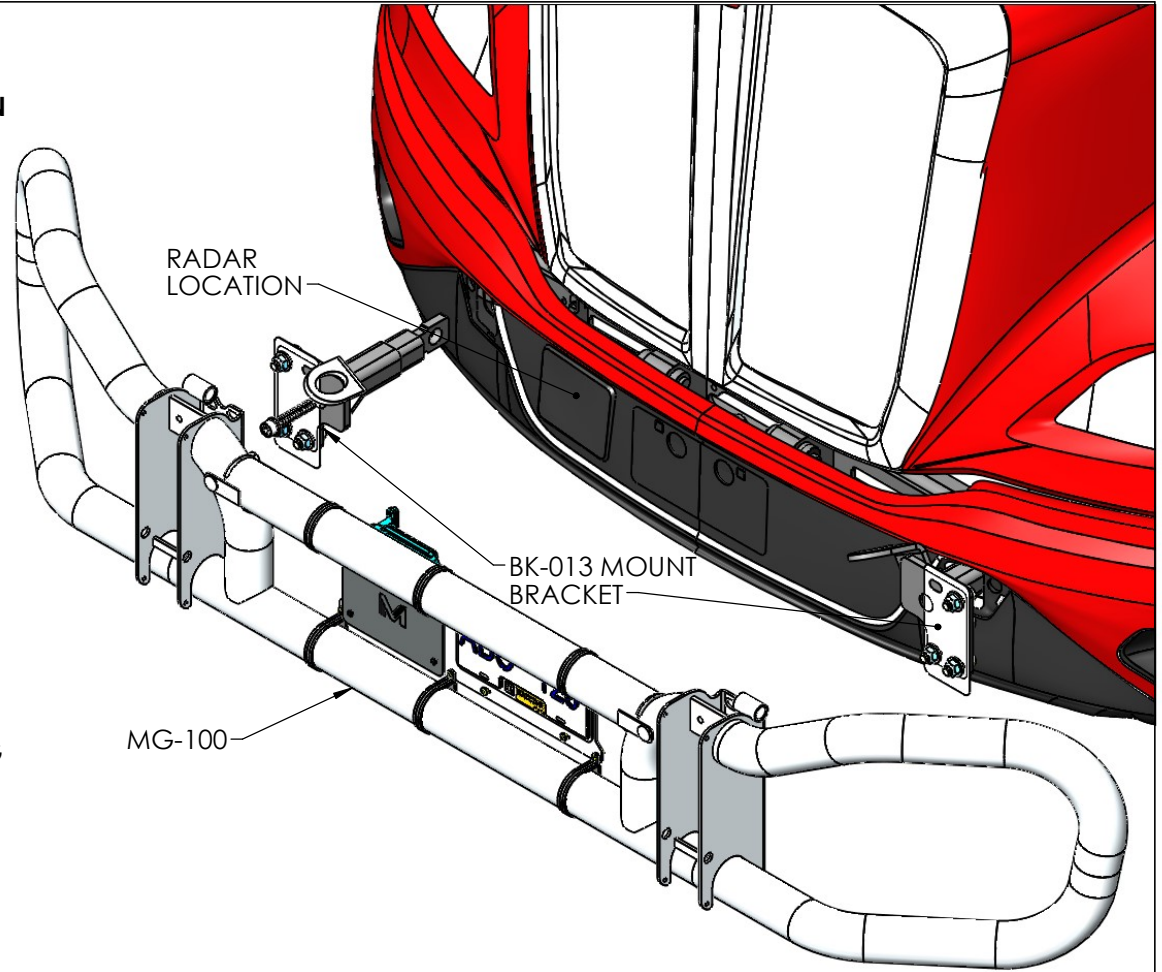


INSTALLING MG-100/200/300

- 1) SEE THE RADAR INSTALLATION SHEET IF RADAR IS EQUIPPED ON THE TRUCK.
- 2) OPEN HOOD AND REMOVE FACTORY TOW PINS FROM TRUCK
- 3) INSERT MOUNT BRACKETS INTO THE TOW SOCKETS (TOW PLATES SHOULD BE ON THE INSIDE OF THE BUMPER)
- 4) SLIDE FACTORY TOW PINS OR EQUIVALENT BOLT THROUGH THE TRUCK FRAME AND MOUNT BRACKETS.
- 5) TIGHTEN THE 5/8" X 3 1/2" SOCKET HEAD SCREW WITH A 5/8" LOCK WASHER TO 159 FT-LBS TO SECURE THE BRACKETS IN PLACE
- 6) ATTACH THE MG-100 TO THE MOUNT BRACKETS USING THE TOP TWO ROWS OF SLOTS. SHIMS SHOULD BE PLACED BETWEEN THE GUARD AND THE MOUNT BRACKETS.
HARDWARE: 5/8" NC X 1 3/4" BOLT, 5/8" WASHER & 5/8" STOVER NUT
TIGHTEN TO 159 FT-LBS (6 PLACES)
- 7) THE GUARD IS NOW INSTALLED. THE HOOD CAN NOW BE CLOSED. REFER TO DRAWING #54268 FOR INSTALLING THE MG-200T/300T IF REQUIRED.



FRACTIONS CHART					
1/32	.03125	9/32	.28125	17/32	.53125
1/16	.0625	5/16	.3125	9/16	.5625
3/32	.09375	11/32	.34375	19/32	.59375
1/8	.125	3/8	.375	5/8	.625
5/32	.15625	13/32	.40625	21/32	.65625
3/16	.1875	7/16	.4375	11/16	.6875
7/32	.21875	15/32	.46875	23/32	.71875
1/4	.25	1/2	.5	3/4	.75
25/32	.78125	13/16	.8125	27/32	.84375
				7/8	.875
				29/32	.90625
				15/16	.9375
				31/32	.96875

UNLESS OTHERWISE SPECIFIED DIMENSIONS ARE IN INCHES
TOLERANCES ARE:
FRACTIONS ANGLES
+/- 1/16" +/- 1°
.XX" .XXX"
+/- 0.03" +/- 0.005"
DIMENSIONS TO SHARP POINTS

SHEET NAME		TITLE			
BUMPER INSTALL		BK-013 ON 2021 KENWORTH T-680			
CURRENT CUSTOMER	STOCK NUMBER	VENDOR NUMBER		WEIGHT - LB.	
				219.	
WO#	DRAWN BY	DRAWN DATE	CHECKED BY	CHECKED DATE	REV.
	MD	2/14/2022	LS	2/17/2022	
SCALE	MODELLER	DRAWING NUMBER			NUMBER OF SHEETS
1:12	MD	AA-60230			2

USE ONLY FASTENERS AND GRADES SPECIFIED

NOTE:
IF EQUIPPED, RADAR MUST BE REMOVED BEFORE BUMPER INSTALLATION. THE OEM BUMPER NEEDS TO BE REMOVED IN ORDER TO REMOVE THE RADAR.

RADAR MUST BE RECALIBRATED AFTER BUMPER INSTALLATION, CALIBRATION CAN ONLY BE DONE BY AUTHORIZED PERSONNEL.

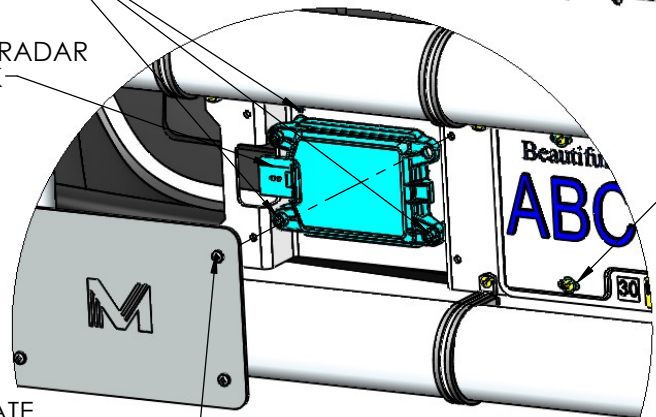
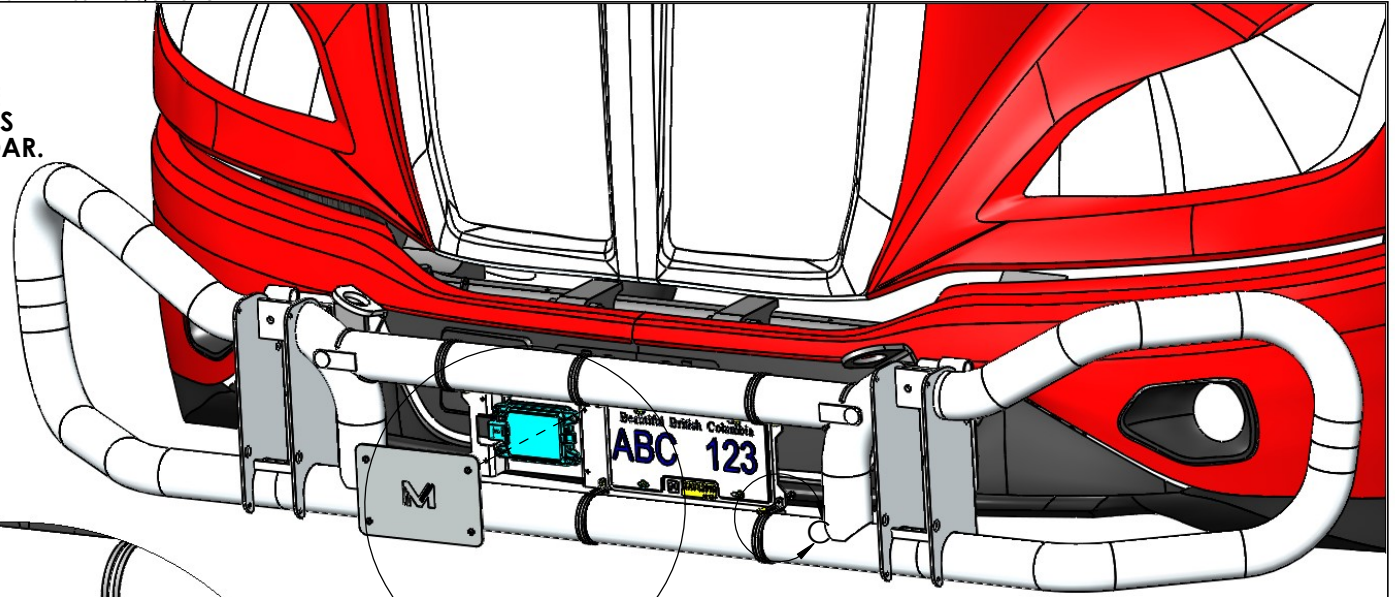
STEP (2):
INSTALL RADAR INTO RADAR BRACKET SUPPLIED REUSING ORIGINAL ADJUSTABLE STAND-OFF AND FASTENERS

STEP (3):
RECONNECT RADAR TO THE TRUCK

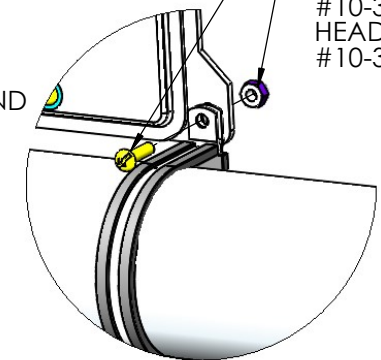
STEP (4)
INSTALL COVER PLATE USING THE SUPPLIED HARDWARE:
#10-32 BLACK OXIDE MACHINE SCREW X 1 1/4" (4),
SPACERS (4) AND
#10-32 NYLOC NUT (4)

STEP (5):
INSTALL LICENSE PLATE USING HARDWARE SUPPLIED
#10-32 PLATED MACHINE HEAD SCREW X 3/4" (4),
GR. 2 #10 WASHER (4) AND
#10-32 NYLOC NUT (4)

STEP (1):
INSTALL RADAR BRACKET USING LOOP CLAMPS AND SUPPLIED HARDWARE TYP (6)
#10-32 PLATED MACHINE HEAD SCREW X 3/4" AND
#10-32 NYLOC NUT (6)



**DETAIL B
SCALE 1 : 6**



**DETAIL C
SCALE 1 : 3**

MAGNUM TRAILER & EQUIPMENT INC.

FRACTIONS CHART							
1/32	.03125	9/32	.28125	17/32	.53125	25/32	.78125
1/16	.0625	5/16	.3125	9/16	.5625	13/16	.8125
3/32	.09375	11/32	.34375	19/32	.59375	27/32	.84375
1/8	.125	3/8	.375	5/8	.625	7/8	.875
5/32	.15625	13/32	.40625	21/32	.65625	29/32	.90625
3/16	.1875	7/16	.4375	11/16	.6875	15/16	.9375
7/32	.21875	15/32	.46875	23/32	.71875	31/32	.96875
1/4	.25	1/2	.5	3/4	.75		

UNLESS OTHERWISE SPECIFIED DIMENSIONS ARE IN INCHES TOLERANCES ARE:

FRACTIONS	ANGLES
+/- 1/16"	+/- 1°
.XX"	.XXX"
+/- 0.03"	+/- 0.005"

DIMENSIONS TO SHARP POINTS

SHEET NAME		TITLE			
RADAR INSTALL		BK-013 ON 2021 KENWORTH T-680			
CURRENT CUSTOMER	STOCK NUMBER	VENDOR NUMBER		WEIGHT - LB.	
				219.	
WO#	DRAWN BY	DRAWN DATE	CHECKED BY	CHECKED DATE	REV.
	MD	2/14/2022	LS	2/17/2022	
SCALE	MODELLER	DRAWING NUMBER			NUMBER OF SHEETS
1:12	MD	AA-60230			2