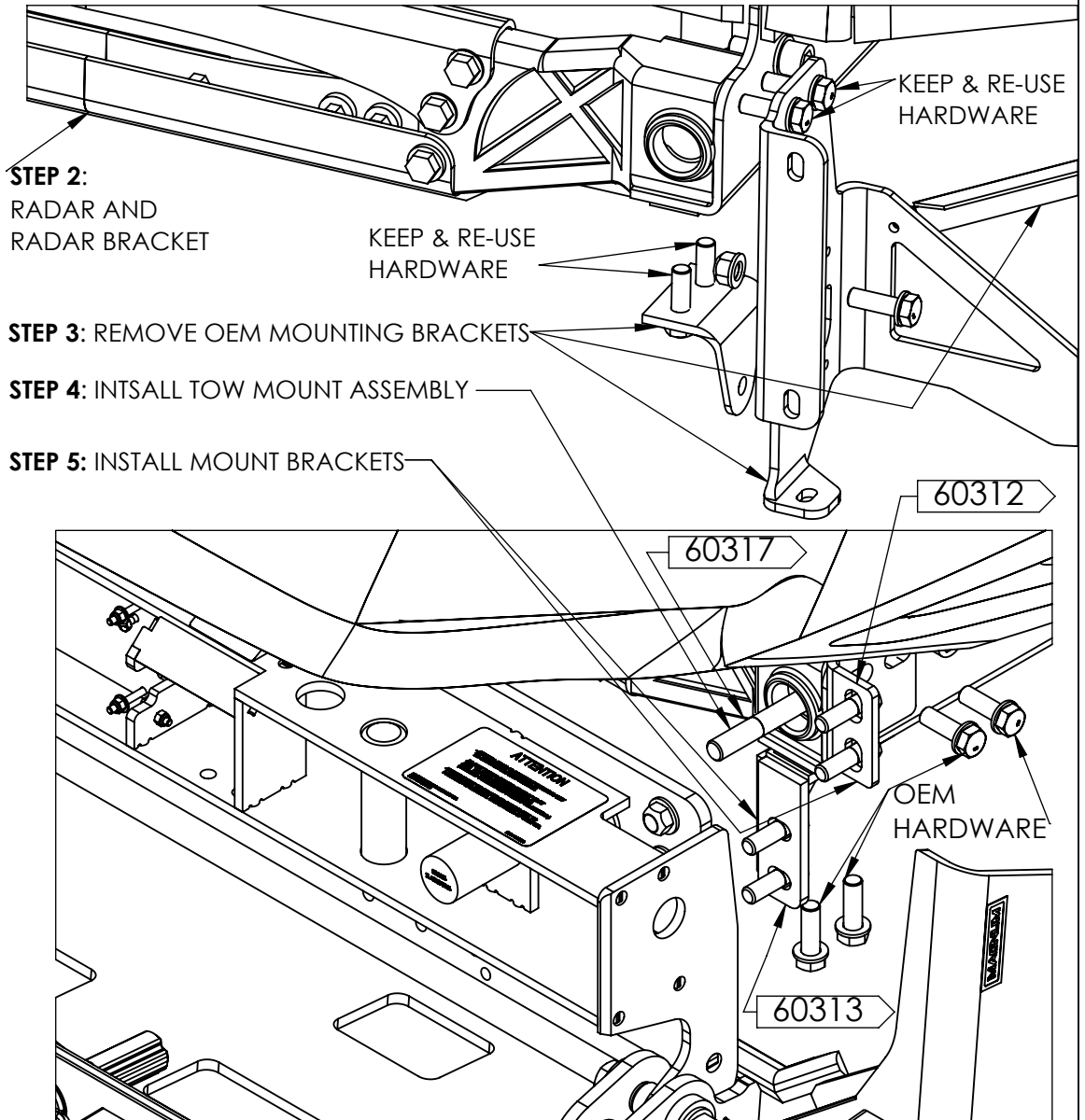


**INSTALLING 17284 ON WESTERN STAR 49X SBA**

1. REMOVE OEM BUMPER FROM TRUCK
2. IF EQUIPED, UNINSTALL RADAR FROM TRUCK AND RADAR BRACKET, OTHERWISE SKIP THIS STEP.
3. REMOVE OEM MOUNTING BRACKETS KEEPING THE HARDWARE SHOWN IN THE FIGURE (THEY WILL BE REUSED FOR THE BUMPER INSTALLATION).
4. INSTALL SUPPLIED TOW MOUNT ASSEMBLY "60317" (2) INTO THE TOW RECIEVERS. LOCK IT INTO THE BACK OF THE TOW RECIEVER BY PUSHING IT AGAINST THE SPRING AND TURNING THE TOW MOUNT A QUARTER TURN.
5. INSTALL SUPPLIED MOUNT BRACKETS "60312, 60312M, 60313 & 60313M" TO THE FRAME USING THE OEM HARDWARE.
6. ATTACH THE BUMPER TO THE TRUCK USING THE FOLLOWING SUPPLIED HARDWARE:  
 5/8" X 2" GR.8 HEX BOLT (8)  
 5/8" GR.C STOVER NUT (8) (TORQUE SPEC = 212FT-LBS)  
 5/8" GR.8 FLAT WASHER (16)  
 3/4" GR.8 USS FLAT WASHER (2)  
 3/4" GR.C STOVER NUT (4) (TORQUE SPEC = 282FT-LBS)
7. INSTALL FOG LIGHTS IN BUMPER. (SEE SHEET 2)
8. IF EQUIPED, INSTALL RADAR ON BRACKET AND THEN INTO THE BUMPER (SEE SHEET 3). OTHERWISE IGNORE THIS STEP.



**MAGNUM TRAILER & EQUIPMENT INC.**



**FRACTIONS CHART**

1/32	.03125	9/32	.28125	17/32	.53125	25/32	.78125
1/16	.0625	5/16	.3125	9/16	.5625	13/16	.8125
3/32	.09375	11/32	.34375	19/32	.59375	27/32	.84375
1/8	.125	3/8	.375	5/8	.625	7/8	.875
5/32	.15625	13/32	.40625	21/32	.65625	29/32	.90625
3/16	.1875	7/16	.4375	11/16	.6875	15/16	.9375
7/32	.21875	15/32	.46875	23/32	.71875	31/32	.96875
1/4	.25	1/2	.5	3/4	.75		

UNLESS OTHERWISE SPECIFIED DIMENSIONS ARE IN INCHES TOLERANCES ARE:

FRACTIONS	ANGLES
+/- 1/16"	+/- 1°
.XX"	.XXX"
+/- 0.03"	+/- 0.005"

DIMENSIONS TO SHARP POINTS

SHEET NAME <b>BUMPER</b>		TITLE <b>17284 ON A WESTERN STAR 49X SBA TOW RECIEVERS</b>			
CURRENT CUSTOMER		STOCK NUMBER		VENDOR NUMBER	
WO#		DRAWN BY MD		DRAWN DATE 3/9/2022	
SCALE 1:12		CHECKED BY LS		CHECKED DATE 5/26/2022	
		MODELLER MD		DRAWING NUMBER <b>AA-60292</b>	
				WEIGHT - LB. 382.	
				REV.	
				NUMBER OF SHEETS 3	

**INSTALLING FOG LIGHT**

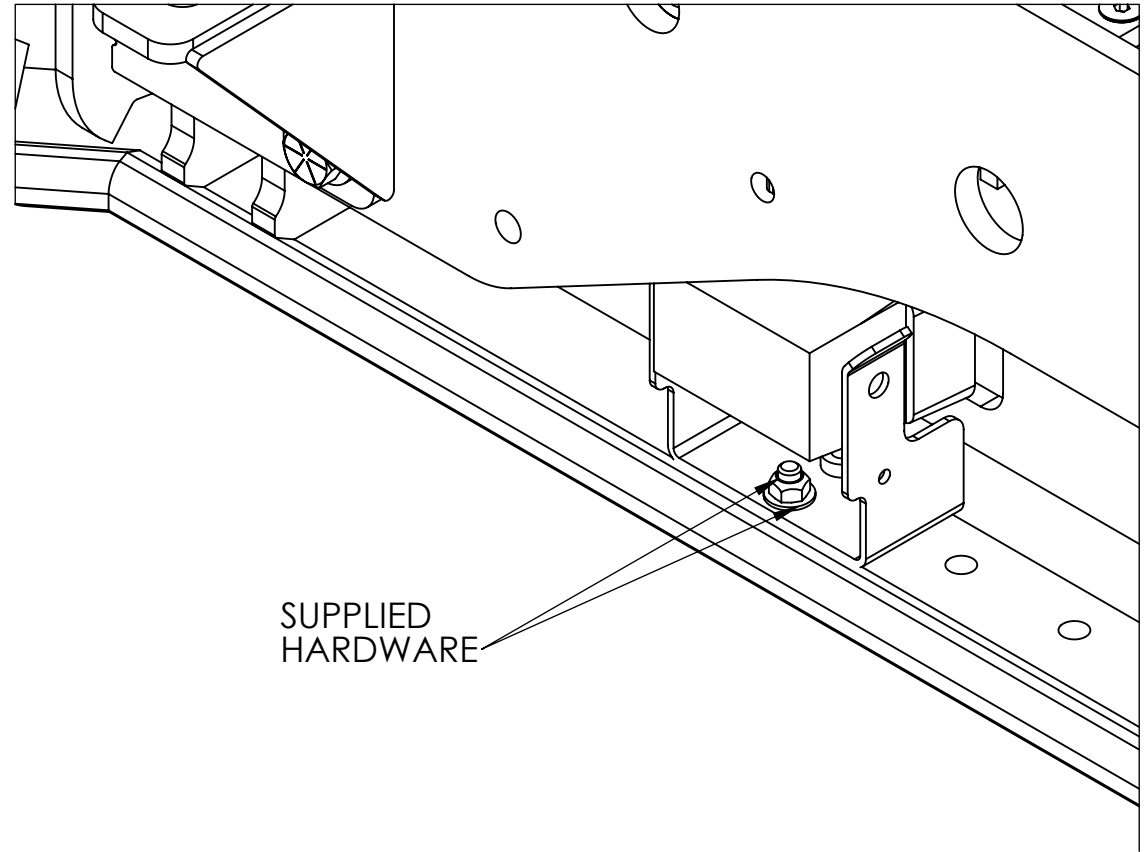
ATTACH FOG LIGHT TO THE ANGLE ALUMINUM BRACKET USING THE SUPPLIED HARDARE AND OEM HARDARE:

**SUPPLIED:**

- 3/8" X 1" GR.5 HEX BOLT (2)
- 3/8" GR.C STOVER NUT (2)
- 3/8" GR.2 FLAT WASHER (4)

**OEM HARDWARE:**

- M10 HEX BOLT (2)
- M10 WASHER (2)



SUPPLIED HARDWARE

**MAGNUM TRAILER & EQUIPMENT INC.**



**FRACTIONS CHART**

1/32	.03125	9/32	.28125	17/32	.53125	25/32	.78125
1/16	.0625	5/16	.3125	9/16	.5625	13/16	.8125
3/32	.09375	11/32	.34375	19/32	.59375	27/32	.84375
1/8	.125	3/8	.375	5/8	.625	7/8	.875
5/32	.15625	13/32	.40625	21/32	.65625	29/32	.90625
3/16	.1875	7/16	.4375	11/16	.6875	15/16	.9375
7/32	.21875	15/32	.46875	23/32	.71875	31/32	.96875
1/4	.25	1/2	.5	3/4	.75		

UNLESS OTHERWISE SPECIFIED DIMENSIONS ARE IN INCHES TOLERANCES ARE:

FRACTIONS	ANGLES
+/- 1/16"	+/- 1°
.XX"	.XXX"
+/- 0.03"	+/- 0.005"

DIMENSIONS TO SHARP POINTS

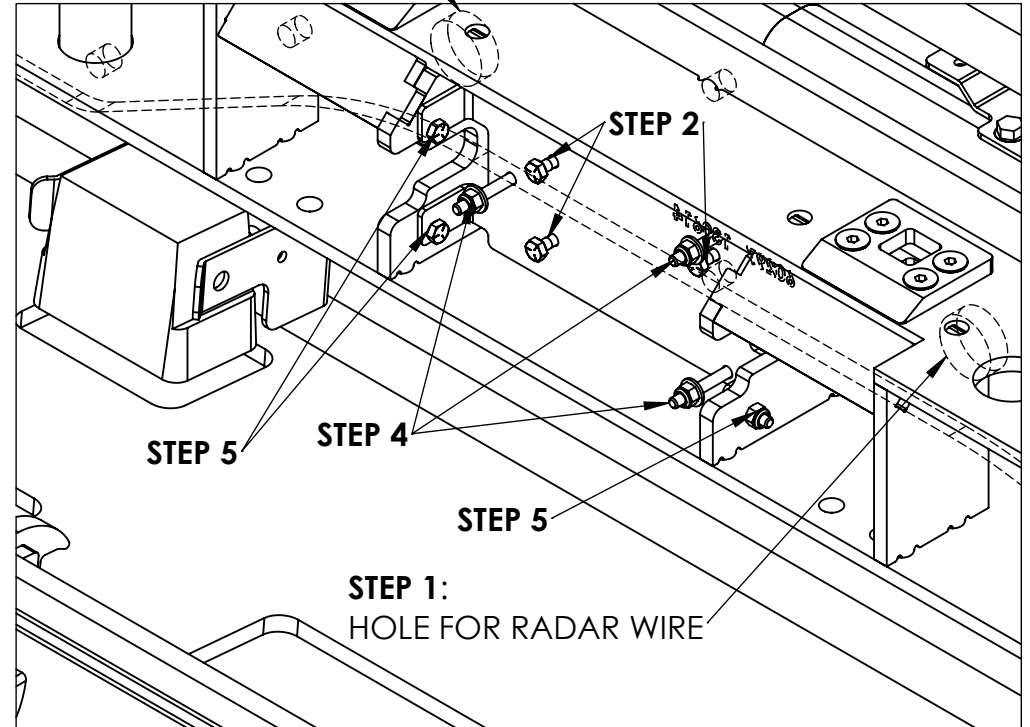
SHEET NAME	TITLE		
FOG LIGHT	17284 ON A WESTERN STAR 49X SBA TOW RECIEVERS		
CURRENT CUSTOMER	STOCK NUMBER	VENDOR NUMBER	WEIGHT - LB.
			382.
WO#	DRAWN BY	DRAWN DATE	CHECKED BY
	MD	3/9/2022	LS
SCALE	MODELLER	DRAWING NUMBER	NUMBER OF SHEETS
1:12	MD	AA-60292	3

### INSTALLING RADAR

1. FISH THE RADAR WIRE THROUGH THE HOLE ON THE BACK OF THE STEEL ASSEMBLY.
2. ATTACH THE RADAR TO THE RADAR BRACKET USING THE FOLLOWING HARDARE:  
1/4" X 1" GR.5 NC HEX BOLT (3)  
1/4" GR.2 NC NYLOC NUT (3)
3. PLUG IN THE RADAR
4. INSTALL THE RADAR COVER ONTO THE BRACKET USING THE SUPPLIED HARDWARE:  
1/4" X 1 3/4" GR.5 NC HEX BOLT (3)  
1/4" GR.2 FLAT WASHER (3)  
1/4" GR.2 NC NYLOC NUT (3)
5. INSTALL THE RADAR BRACKET WITH ATTACHED RADAR INTO THE BUMPER USING THE SUPPLIED HARDWARE:  
1/4" X 1" GR.5 NC HEX BOLT (4)  
1/4" GR.2 NC STOVER NUT (4)

#### STEP 1:

HOLE FOR RADAR WIRE



#### IMPORTANT NOTE:

IF EQUIPED, RADAR MUST BE REMOVED BEFORE BUMPER INSTALLATION. RADAR MUST BE RE-CALIBRATED AFTER BUMPER INSTALLATION. CALIBRATION CAN ONLY BE DONE BY AUTHORIZED PERSONNEL!

<b>MAGNUM TRAILER &amp; EQUIPMENT INC.</b> 	<b>FRACTIONS CHART</b>				UNLESS OTHERWISE SPECIFIED DIMENSIONS ARE IN INCHES TOLERANCES ARE: FRACTIONS    ANGLES +/- 1/16"    +/- 1° .XX"        .XXX" +/- 0.03"    +/- 0.005"		SHEET NAME		TITLE					
	1/32 .03125	9/32 .28125	17/32 .53125	25/32 .78125			RADAR		17284 ON A WESTERN STAR 49X SBA TOW RECIEVERS					
	1/16 .0625	5/16 .3125	9/16 .5625	13/16 .8125	CURRENT CUSTOMER		STOCK NUMBER		VENDOR NUMBER		WEIGHT - LB.			
	3/32 .09375	11/32 .34375	19/32 .59375	27/32 .84375	WO#		DRAWN BY		DRAWN DATE		CHECKED BY	CHECKED DATE	REV.	
1/8 .125	3/8 .375	5/8 .625	7/8 .875	SCALE		MD		3/9/2022		LS		5/26/2022		
5/32 .15625	13/32 .40625	21/32 .65625	29/32 .90625	DIMENSIONS TO SHARP POINTS		MD		1:12		DRAWING NUMBER		AA-60292		NUMBER OF SHEETS
3/16 .1875	7/16 .4375	11/16 .6875	15/16 .9375											3
7/32 .21875	15/32 .46875	23/32 .71875	31/32 .96875											
1/4 .25	1/2 .5	3/4 .75												