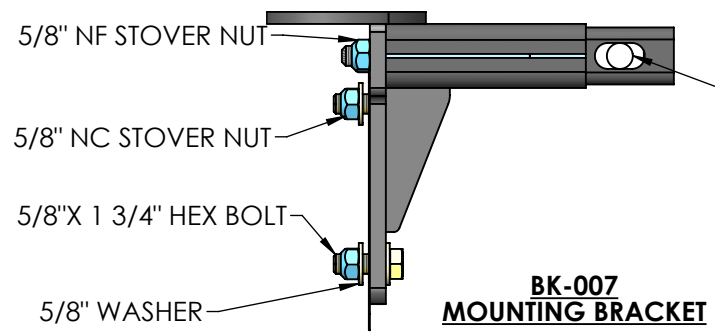
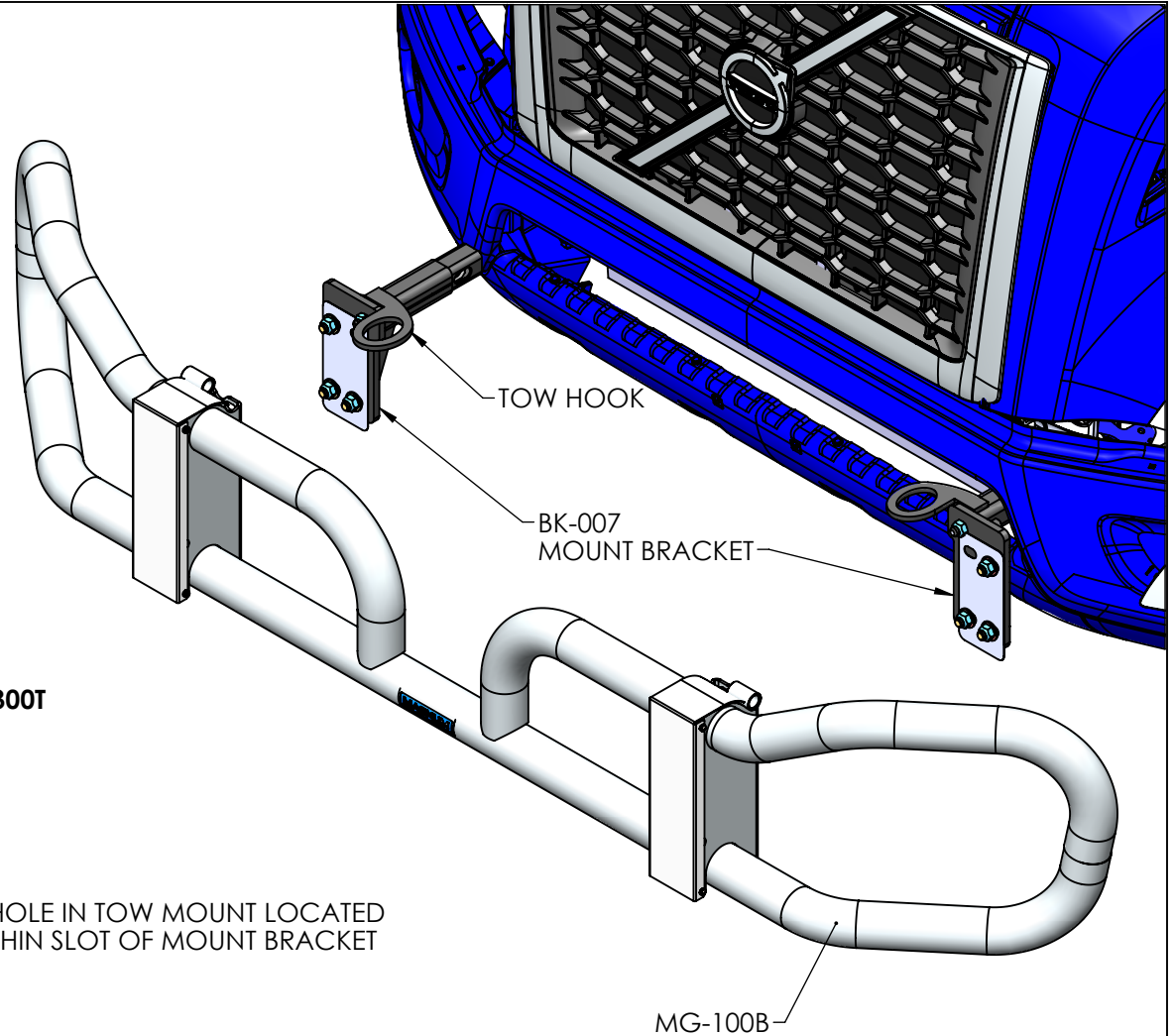


INSTALLING MG-100B/200B/300B

- 1) ENSURE THE HOLE IN THE TOW MOUNTS ARE LOCATED WITHIN THE SLOT OF THE MOUNT BRACKET BEFORE INSTALLING
- 2) REMOVE FACTORY TOW PINS FROM TRUCK
- 3) INSERT MOUNT BRACKETS INTO THE TOW SOCKETS (TOW HOOKS SHOULD BE ON THE INSIDE OF THE BUMPER)
- 4) SLIDE FACTORY TOW PINS OR EQUIVALENT BOLT THROUGH THE TRUCK FRAME AND MOUNT BRACKETS (MUST GO THROUGH THE HOLE IN THE TOW MOUNT)
- 5) TIGHTEN THE 5/8" NF STOVER NUT TO 128 FT-LBS TO SECURE THE BRACKETS IN PLACE
- 6) ATTACH THE MG-100B TO THE MOUNT BRACKETS USING THE TOP TWO ROWS OF SLOTS.
HARDWARE: 5/8" NC X 1 3/4" BOLT, 5/8" WASHER & 5/8" STOVER NUT
TIGHTEN TO 159 FT-LBS
(6 PLACES)
- 7) THE GUARD IS INSTALLED. THE HOOD CAN NOW BE CLOSED. REFER TO DRAWING #54268 FOR INSTALLING THE MG-200T/300T IF REQUIRED.



MAGNUM TRAILER & EQUIPMENT INC.

FRACTIONS CHART					
1/32	.03125	9/32	.28125	17/32	.53125
1/16	.0625	5/16	.3125	9/16	.5625
3/32	.09375	11/32	.34375	13/16	.8125
1/8	.125	3/8	.375	19/32	.59375
5/32	.15625	13/32	.40625	5/8	.625
3/16	.1875	7/16	.4375	7/8	.875
7/32	.21875	15/32	.46875	21/32	.65625
1/4	.25	1/2	.5	29/32	.90625
				15/16	.9375
				31/32	.96875

UNLESS OTHERWISE SPECIFIED DIMENSIONS ARE IN INCHES
TOLERANCES ARE:
FRACTIONS ANGLES
+/- 1/16" +/- 1°
.XX" .XXX"
+/- 0.03" +/- 0.005"

DIMENSIONS TO SHARP POINTS

SHEET NAME Sheet1		TITLE MODULAR GUARD ON 2017 VOLVO VNL			
CURRENT CUSTOMER		STOCK NUMBER		VENDOR NUMBER	
WO#		DRAWN BY MD		WEIGHT - LB. 95.7	
SCALE 1:12		DRAWN DATE 5/1/2020		CHECKED DATE 3/24/2021	
		CHECKED BY LS		REV. A	
		MODELLER MD		DRAWING NUMBER AA-54485	
				NUMBER OF SHEETS 1	