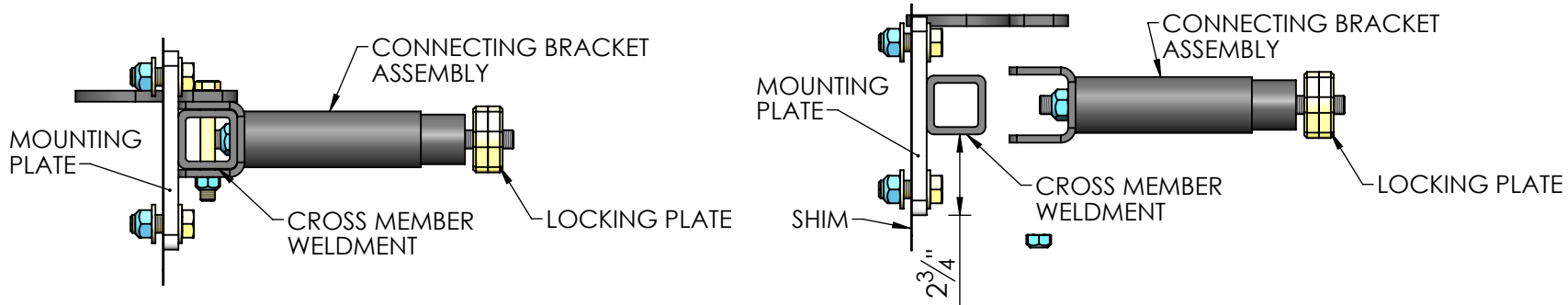
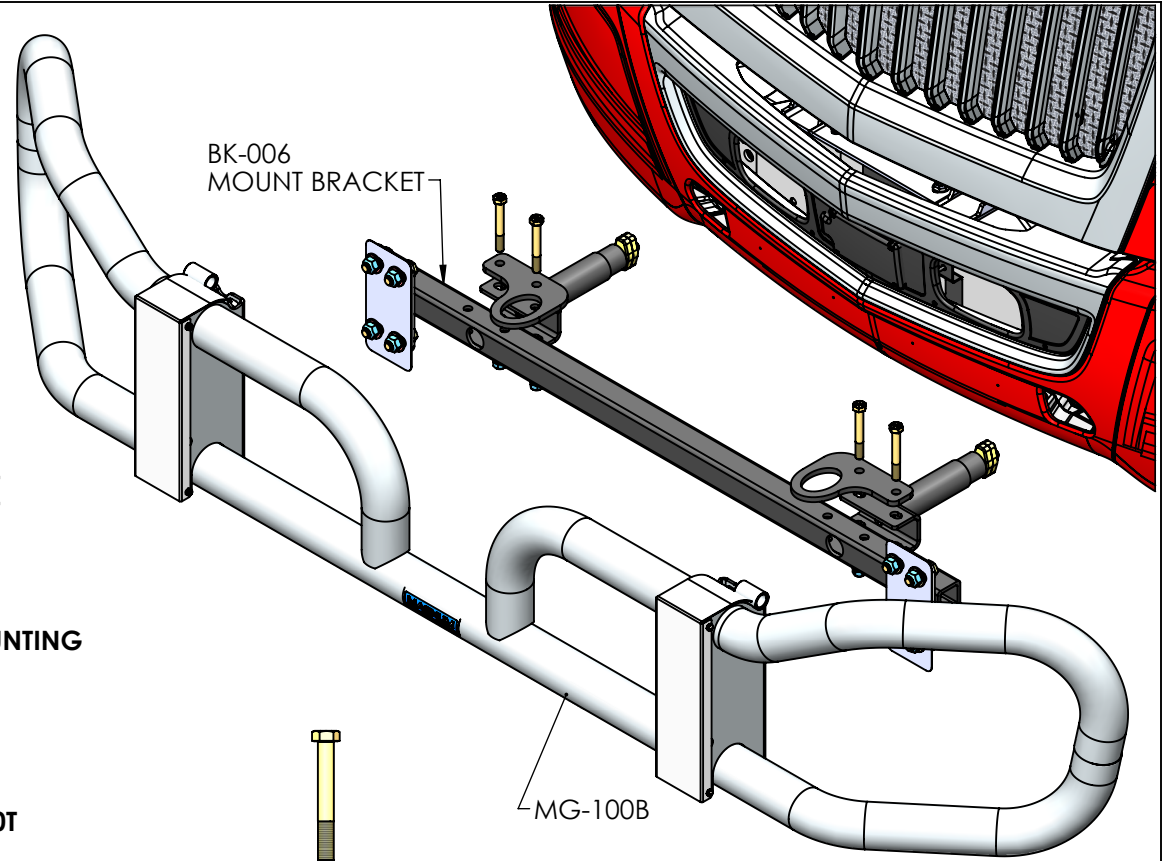


**INSTALLING MG-100B/200B/300B**

- 1) ORIENTATE MOUNT BRACKET SO THAT IT MATCHES THE ORIENTATION OF THE FIGURE TO THE RIGHT.
- 2) INSERT LOCKING PLATE ASSEMBLY INTO THE CONNECTING BRACKET ASSEMBLY. ROTATE THE LOCKING PLATE SO THAT LONGEST SIDE IS FACING HORIZONTALLY.
- 3) INSERT THE CONNECTING BRACKET ASSEMBLY INTO THE TOW SOCKET AND TURN THE DRAW STUD A QUARTER TURN USING A FLAT HEAD SCREWDRIVER.
- 4) PULL THE DRAW STUD MAKING SURE THE LOCKING PLATE IS POSITIONED CORRECTLY IN THE TOW SOCKET.
- 5) TIGHTEN THE DRAW STUD STOVER NUT TO 128 FT-LBS.
- 6) TIGHTEN 1/2" HARDWARE SO THAT THE CONNECTING BRACKET ASSEMBLY CLAMPS DOWN ON THE CROSS MEMBER WELDMENT UNTIL THERE IS NO FREE MOVEMENT.
- 7) ATTACH THE BUMPER GUARD TO THE MOUNTING BRACKETS USING THE BOTTOM TWO ROWS OF SLOTS ON THE GUARD, SHIMS SHOULD BE PLACED BETWEEN THE GUARD AND THE MOUNTING BRACKETS.  
HARDWARE: 5/8" NC X 1 3/4" BOLT, 5/8" WASHER & 5/8" STOVER NUT (8 PLACES)
- 8) THE GUARD IS INSTALLED. THE HOOD CAN NOW BE CLOSED. REFER TO DRAWING #54268 FOR INSTALLING THE MG-200T/300T IF REQUIRED.



<b>MAGNUM TRAILER &amp; EQUIPMENT INC.</b> 	<b>FRACTIONS CHART</b>								UNLESS OTHERWISE SPECIFIED DIMENSIONS ARE IN INCHES TOLERANCES ARE: <b>FRACTIONS</b> <b>ANGLES</b> +/- 1/16"    +/- 1° .XX"    .XXX" +/- 0.03"    +/- 0.005"		SHEET NAME <b>BUMPER GUARD</b>		TITLE <b>MODULAR GUARD ON 2017 INT. PROSTAR LT</b>			
	1/32 .03125		9/32 .28125		17/32 .53125		25/32 .78125		CURRENT CUSTOMER		STOCK NUMBER		VENDOR NUMBER		WEIGHT - LB.	
	1/16 .0625		5/16 .3125		9/16 .5625		13/16 .8125								121.4	
	3/32 .09375		11/32 .34375		19/32 .59375		27/32 .84375		DRAWN BY		DRAWN DATE		CHECKED BY		CHECKED DATE	
1/8 .125		3/8 .375		5/8 .625		7/8 .875		MD		3/16/2021		LS		3/22/2021		
5/32 .15625		13/32 .40625		21/32 .65625		29/32 .90625		WO#						REV.		
3/16 .1875		7/16 .4375		11/16 .6875		15/16 .9375								A		
7/32 .21875		15/32 .46875		23/32 .71875		31/32 .96875		SCALE		1:4		DRAWING NUMBER		NUMBER OF SHEETS		
1/4 .25		1/2 .5		3/4 .75				MD				AA-53444		1		
DIMENSIONS TO SHARP POINTS																