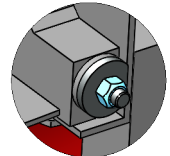
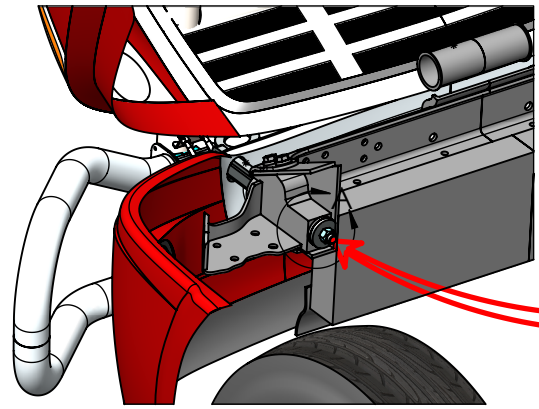
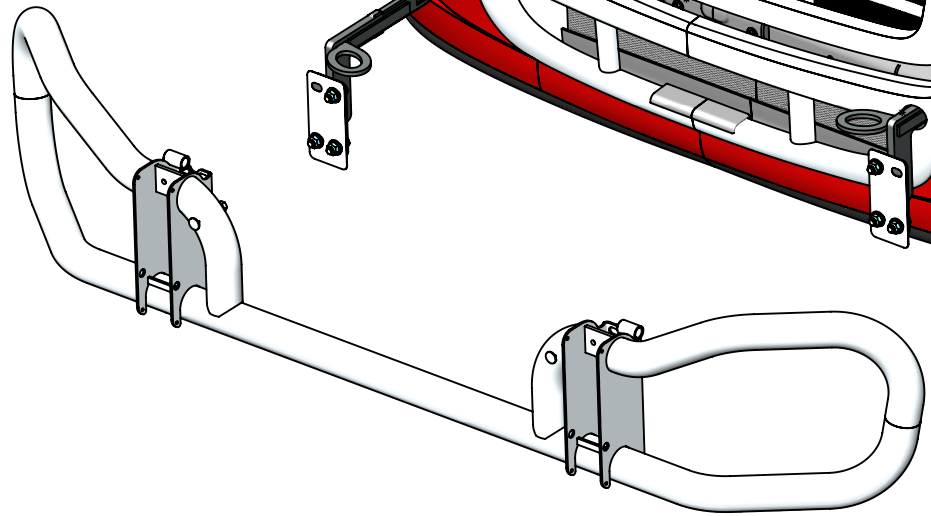
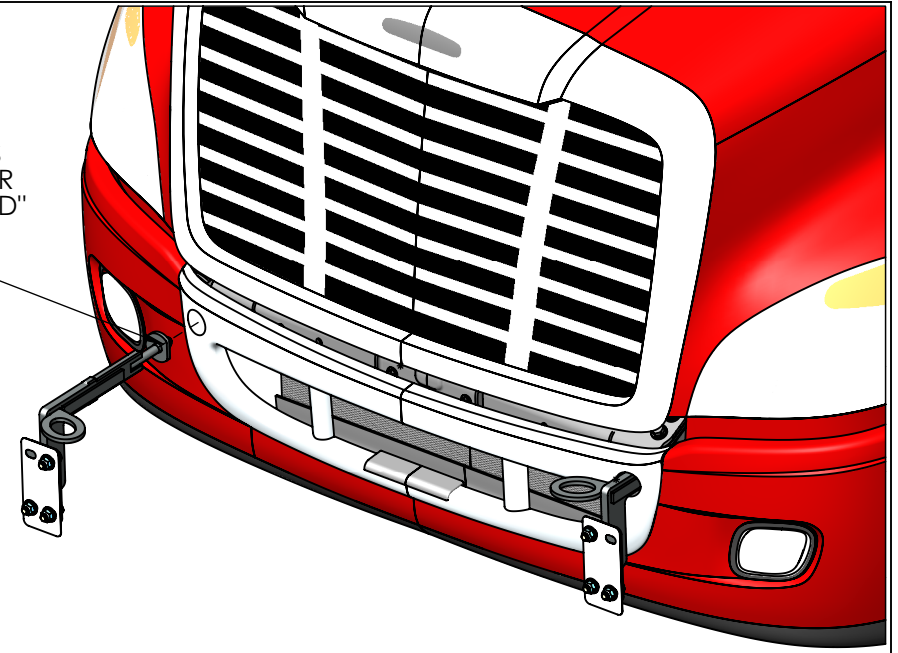


**INSTALLING MG-100/200/300**

- 1) INSTALL MOUNTING BRACKETS INTO THE TOW SOCKETS
- 2) OPEN TRUCK HOOD AND INSTALL NUTS AND WASHERS SHOWN IN DETAIL A
- 3) FULLY TIGHTEN NUTS ONTO STUD. TORQUE = 267 FT./LB. DO NOT EXCEED THIS VALUE OR STRIPPING WILL OCCUR. ENSURE THAT STUD IS FREE OF LUBRICATION BEFORE TIGHTENING.
- 4) ATTACH THE BUMPER GUARD TO THE MOUNTING BRACKETS USING THE TOP TWO ROWS OF SLOTS ON THE GUARD HARDWARE: 5/8" NC X 1 3/4" BOLT, 5/8" WASHER & 5/8" STOVER NUT TORQUE TO 159 FT-LBS (6 PLACES)
- 5) THE GUARD IS INSTALLED. HOOD CAN NOW BE CLOSED. REFER TO DRAWING #54268 FOR INSTALLING THE MG-200T/300T IF REQUIRED

NUTS AND WASHERS ARE INSTALLED AFTER BUMPER IS "PLUGGED" INTO TOW SOCKETS SEE DETAIL "A"



**DETAIL A**  
**SCALE 1 : 8**

**MAGNUM TRAILER & EQUIPMENT INC.**

FRACTIONS CHART					
1/32	.03125	9/32	.28125	17/32	.53125
1/16	.0625	5/16	.3125	9/16	.5625
3/32	.09375	11/32	.34375	13/16	.8125
1/8	.125	3/8	.375	19/32	.59375
5/32	.15625	13/32	.40625	5/8	.625
3/16	.1875	7/16	.4375	21/32	.65625
7/32	.21875	15/32	.46875	11/16	.6875
1/4	.25	1/2	.5	23/32	.71875
				15/16	.9375
				31/32	.96875

UNLESS OTHERWISE SPECIFIED DIMENSIONS ARE IN INCHES TOLERANCES ARE:

<b>FRACTIONS</b>	<b>ANGLES</b>
+/- 1/16"	+/- 1°
.XX"	.XXX"
+/- 0.03"	+/- 0.005"

**DIMENSIONS TO SHARP POINTS**

SHEET NAME <b>Sheet1</b>		TITLE <b>BK-012 ON A 2008 FREIGHTLINER CASCADIA</b>			
CURRENT CUSTOMER		STOCK NUMBER		VENDOR NUMBER	
WO#		DRAWN BY MD		WEIGHT - LB. 106.	
SCALE 1:4		DRAWN DATE 11/3/2021		CHECKED DATE 11/5/2021	
MODELLER MD		CHECKED BY LS		REV.	
DRAWING NUMBER <b>AA-59660</b>				NUMBER OF SHEETS 1	