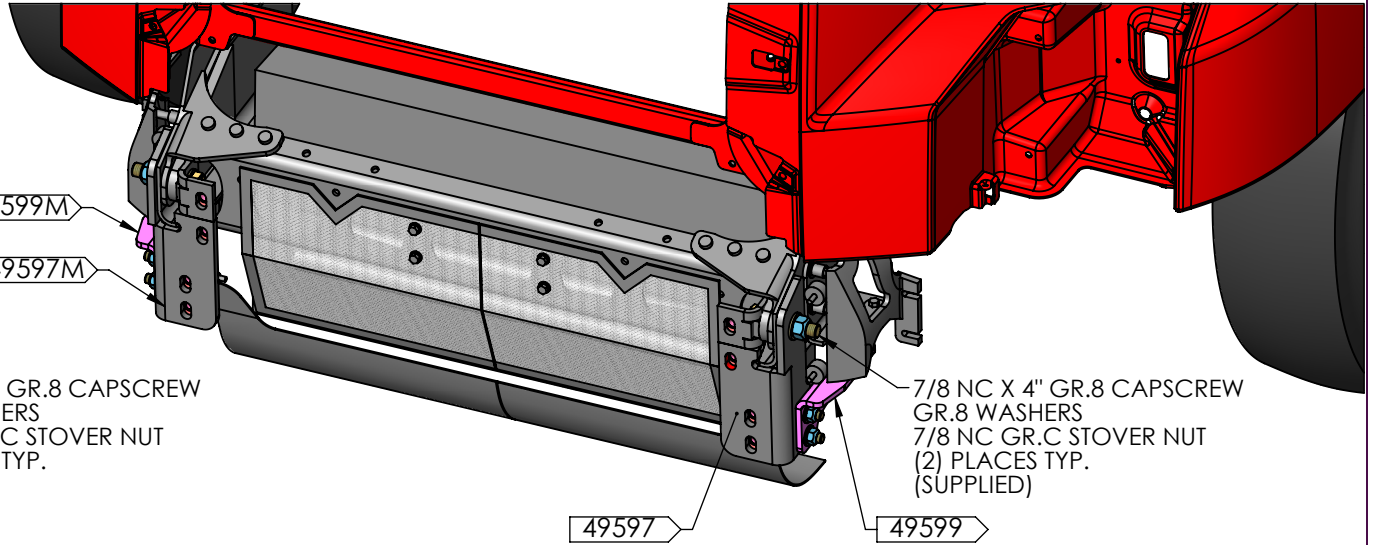


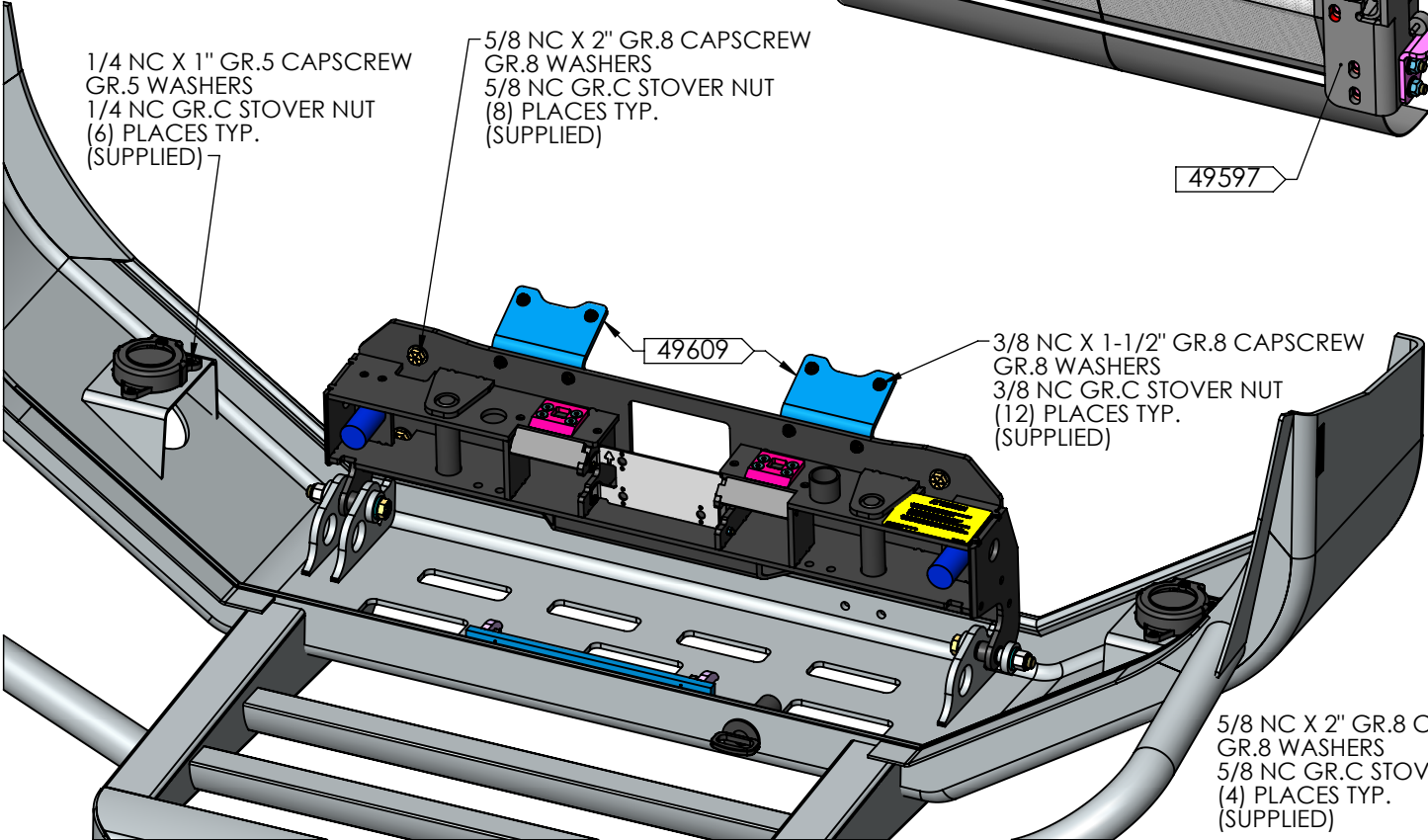
ONLY USE FASTENERS AND GRADES SPECIFIED



1/4 NC X 1" GR.5 CAPSCREW
GR.5 WASHERS
1/4 NC GR.C STOVER NUT
(6) PLACES TYP.
(SUPPLIED)

5/8 NC X 2" GR.8 CAPSCREW
GR.8 WASHERS
5/8 NC GR.C STOVER NUT
(8) PLACES TYP.
(SUPPLIED)

7/8 NC X 4" GR.8 CAPSCREW
GR.8 WASHERS
7/8 NC GR.C STOVER NUT
(2) PLACES TYP.
(SUPPLIED)



3/8 NC X 1-1/2" GR.8 CAPSCREW
GR.8 WASHERS
3/8 NC GR.C STOVER NUT
(12) PLACES TYP.
(SUPPLIED)

INSTALL TIGHT TOGETHER

5/8 NC X 2" GR.8 CAPSCREW
GR.8 WASHERS
5/8 NC GR.C STOVER NUT
(4) PLACES TYP.
(SUPPLIED)

5/8 NC X 4-1/2" GR.8 CAPSCREW
GR.8 WASHERS
5/8 NC GR.C STOVER NUT
(2) PLACES TYP.
(SUPPLIED)

MAGNUM TRAILER & EQUIPMENT INC.



FRACTIONS CHART

1/32	.03125	9/32	.28125	17/32	.53125	25/32	.78125
1/16	.0625	5/16	.3125	9/16	.5625	13/16	.8125
3/32	.09375	11/32	.34375	19/32	.59375	27/32	.84375
1/8	.125	3/8	.375	5/8	.625	7/8	.875
5/32	.15625	13/32	.40625	21/32	.65625	29/32	.90625
3/16	.1875	7/16	.4375	11/16	.6875	15/16	.9375
7/32	.21875	15/32	.46875	23/32	.71875	31/32	.96875
1/4	.25	1/2	.5	3/4	.75		

UNLESS OTHERWISE SPECIFIED DIMENSIONS ARE IN INCHES TOLERANCES ARE:

FRACTIONS ANGLES
+/- 1/16" +/- 1deg

DIMENSIONS TO SHARP POINTS

SHEET NAME
BUMPER INSTALL

CURRENT CUSTOMER

WO#

SCALE 1:12

TITLE
17253 BUMPER ON 2017 MACK ANTHEM

STOCK NUMBER

DRAWN BY
LS

MODELLER
LS

VENDOR NUMBER

DRAWN DATE
5/29/2018

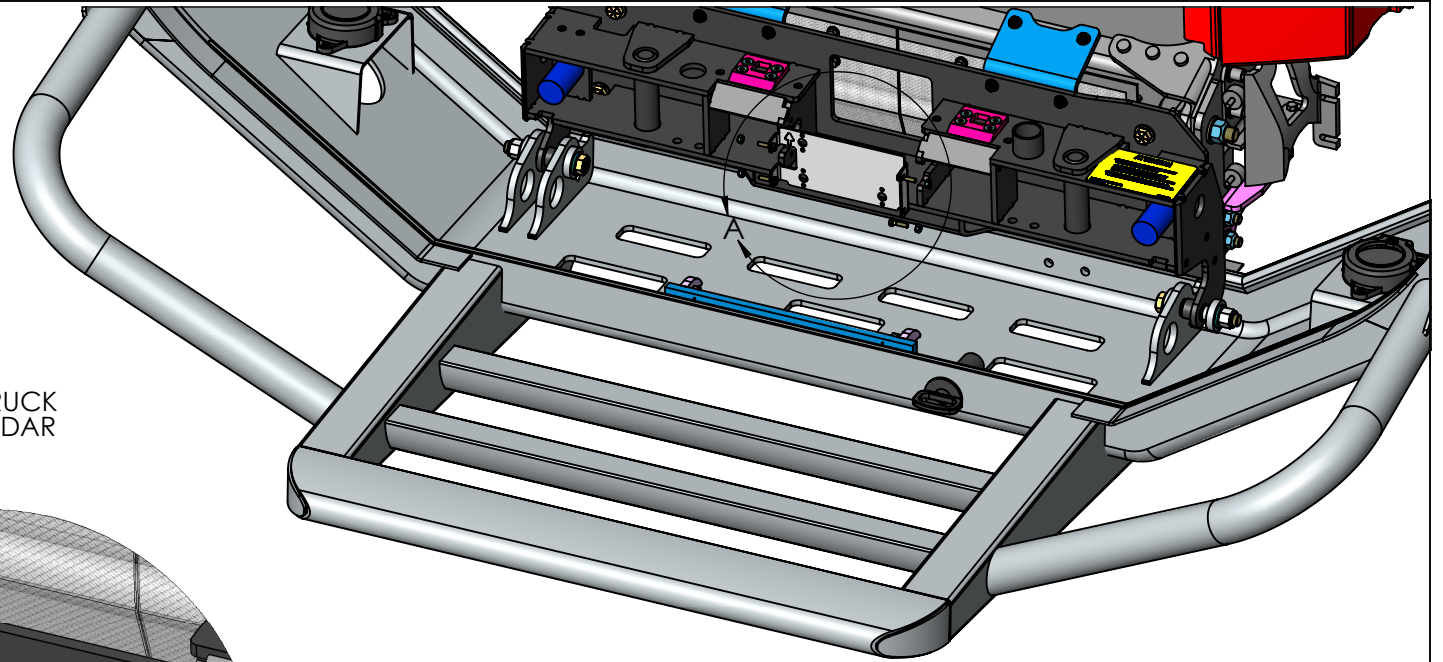
DRAWING NUMBER
AA-49317

WEIGHT - LB.
401.

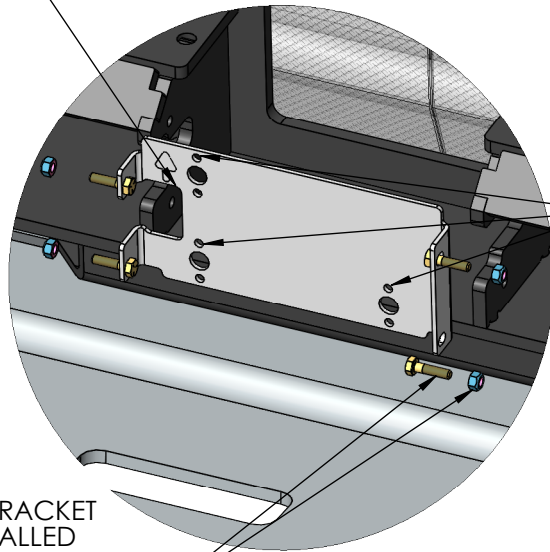
REV.
C

NUMBER OF SHEETS
1

USE ONLY FASTENERS AND GRADES SPECIFIED



STEP (2):
RECONNECT RADAR TO THE TRUCK
(USE BRACKET SLOT TO FISH RADAR
CABLE)



STEP (1):
INSTALL RADAR ONTO SUPPLIED RADAR
BRACKET REUSING ORIGINAL ADJUSTABLE
STAND-OFFS AND FASTENERS

STEP (3):
MOUNT RADAR BRACKET
WITH RADAR INSTALLED
ON IT USING 1/4" NC X 3/4"
GR.5 AND GR.C STOVER
NUTS (SUPPLIED)(4)PLACES

DETAIL A
SCALE 1 : 5

NOTE:
IF EQUIPPED, RADAR MUST BE REMOVED BEFORE BUMPER INSTALLATION.

RADAR MUST BE ALIGNED AND RE-CALIBRATED AFTER BUMPER INSTALLATION.
ALIGNMENT AND CALIBRATION CAN ONLY BE DONE BY AUTHORIZED PERSONNEL.

MAGNUM TRAILER & EQUIPMENT INC. 	FRACTIONS CHART				UNLESS OTHERWISE SPECIFIED DIMENSIONS ARE IN INCHES TOLERANCES ARE: FRACTIONS ANGLES +/- 1/16" +/- 1° .XX" .XXX" +/- 0.03" +/- 0.005"		SHEET NAME		TITLE	
	1/32 .03125	9/32 .28125	17/32 .53125	25/32 .78125			RADAR INSTALL		17253 BUMPER ON 2017 MACK ANTHEM	
	1/16 .0625	5/16 .3125	9/16 .5625	13/16 .8125	CURRENT CUSTOMER	STOCK NUMBER	VENDOR NUMBER	WEIGHT - LB.		
	3/32 .09375	11/32 .34375	19/32 .59375	27/32 .84375	WO#		DRAWN BY	DRAWN DATE	REV.	
1/8 .125	3/8 .375	5/8 .625	7/8 .875	SCALE		LS	5/29/2018	C		
5/32 .15625	13/32 .40625	21/32 .65625	29/32 .90625	1:12		LS	DRAWING NUMBER	NUMBER OF SHEETS		
3/16 .1875	7/16 .4375	11/16 .6875	15/16 .9375	DIMENSIONS TO SHARP POINTS		AA-49317		1		
7/32 .21875	15/32 .46875	23/32 .71875	31/32 .96875							
1/4 .25	1/2 .5	3/4 .75								