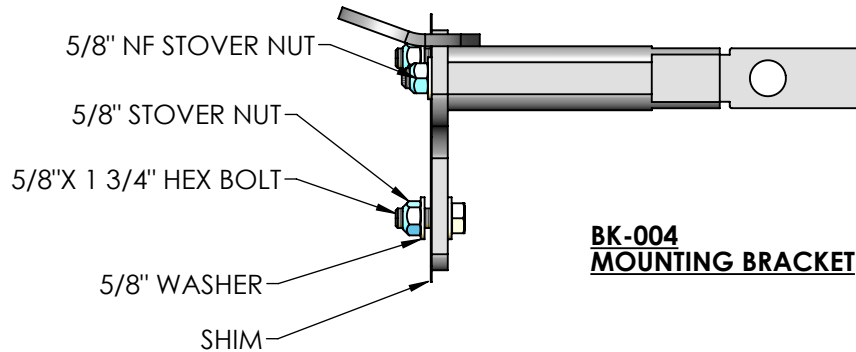
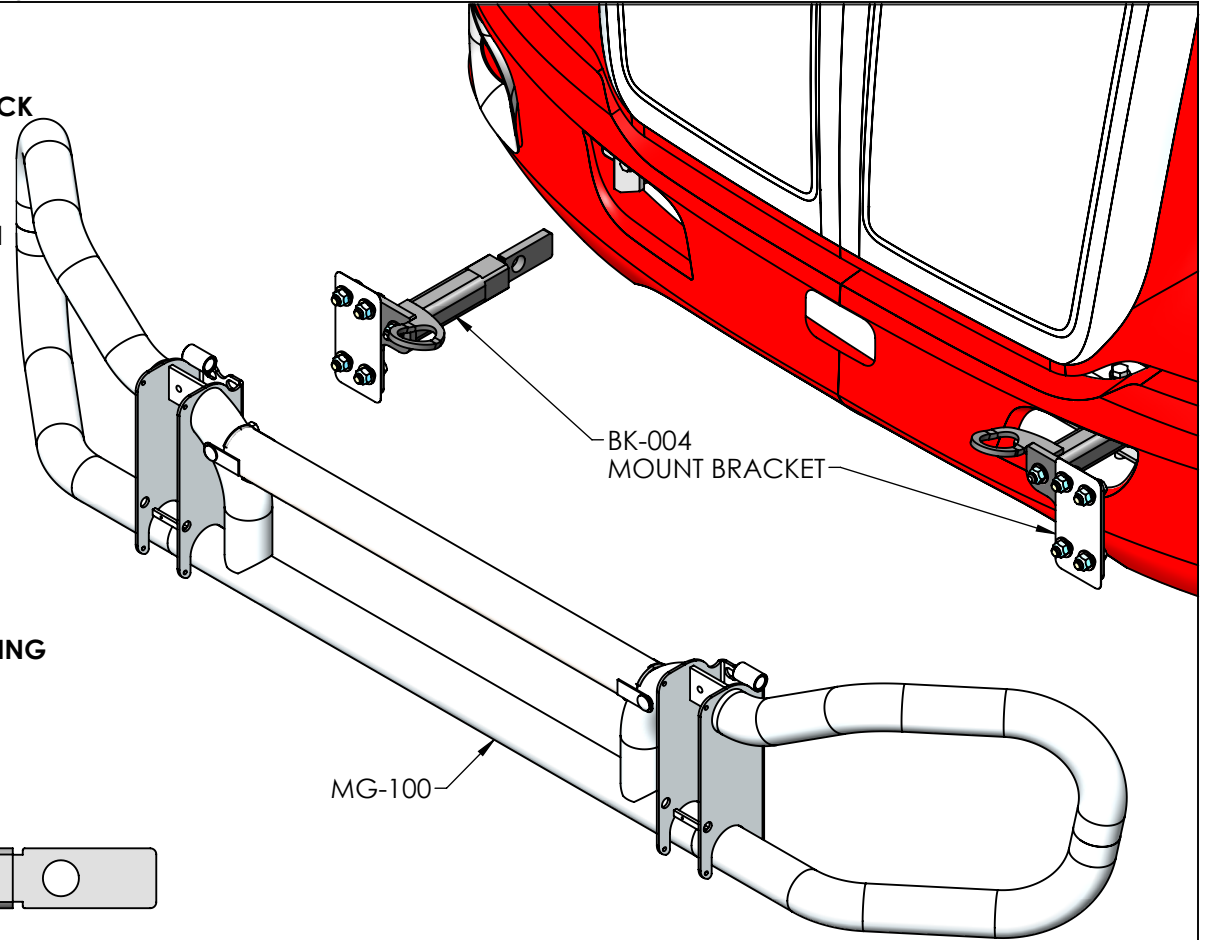


INSTALLING MG-100/200/300

- 1) OPEN HOOD AND REMOVE FACTORY TOW PINS FROM TRUCK
- 2) INSERT MOUNT BRACKETS INTO THE TOW SOCKETS (TOW PLATES SHOULD BE ON THE INSIDE OF THE BUMPER)
- 3) SLIDE FACTORY TOW PINS OR EQUIVALENT BOLT THROUGH THE TRUCK FRAME AND MOUNT BRACKETS.
- 4) TIGHTEN THE 5/8" NF STOVER NUT TO 128 FT-LBS TO SECURE THE BRACKETS IN PLACE
- 5) ATTACH THE MG-100 TO THE MOUNT BRACKETS USING THE TOP TWO ROWS OF SLOTS. SHIMS SHOULD BE PLACED BETWEEN THE GUARD AND THE MOUNT BRACKETS.
HARDWARE: 5/8" NC X 1 3/4" BOLT, 5/8" WASHER & 5/8" STOVER NUT
TIGHTEN TO 159 FT-LBS (8 PLACES)
- 6) THE GUARD IS NOW INSTALLED. THE HOOD CAN NOW BE CLOSED. REFER TO DRAWING #54268 FOR INSTALLING THE MG-200T/300T IF REQUIRED.



BK-004 MOUNTING BRACKET

MAGNUM TRAILER & EQUIPMENT INC.

| FRACTIONS CHART | | | | | | | |
|-----------------|--------|-------|--------|-------|--------|-------|--------|
| 1/32 | .03125 | 9/32 | .28125 | 17/32 | .53125 | 25/32 | .78125 |
| 1/16 | .0625 | 5/16 | .3125 | 9/16 | .5625 | 13/16 | .8125 |
| 3/32 | .09375 | 11/32 | .34375 | 19/32 | .59375 | 27/32 | .84375 |
| 1/8 | .125 | 3/8 | .375 | 5/8 | .625 | 7/8 | .875 |
| 5/32 | .15625 | 13/32 | .40625 | 21/32 | .65625 | 29/32 | .90625 |
| 3/16 | .1875 | 7/16 | .4375 | 11/16 | .6875 | 15/16 | .9375 |
| 7/32 | .21875 | 15/32 | .46875 | 23/32 | .71875 | 31/32 | .96875 |
| 1/4 | .25 | 1/2 | .5 | 3/4 | .75 | | |

UNLESS OTHERWISE SPECIFIED DIMENSIONS ARE IN INCHES
TOLERANCES ARE:
FRACTIONS ANGLES
+/- 1/16" +/- 1°
.XX" .XXX"
+/- 0.03" +/- 0.005"
DIMENSIONS TO SHARP POINTS

| SHEET NAME | TITLE | | | |
|------------------|--------------------------------------|----------------|--------------|------------------|
| Sheet1 | MODULAR GUARD ON 2013 KENWORTH T-680 | | | |
| CURRENT CUSTOMER | STOCK NUMBER | VENDOR NUMBER | WEIGHT - LB. | |
| | | | 96.4 | |
| WO# | DRAWN BY | DRAWN DATE | CHECKED BY | CHECKED DATE |
| | MD | 5/1/2020 | LS | 3/22/2021 |
| SCALE | MODELLER | DRAWING NUMBER | | NUMBER OF SHEETS |
| 1:12 | MD | AA-52537 | | 1 |