

MAGNUM TRAILER & EQUIPMENT INC.



FRACTIONS CHART

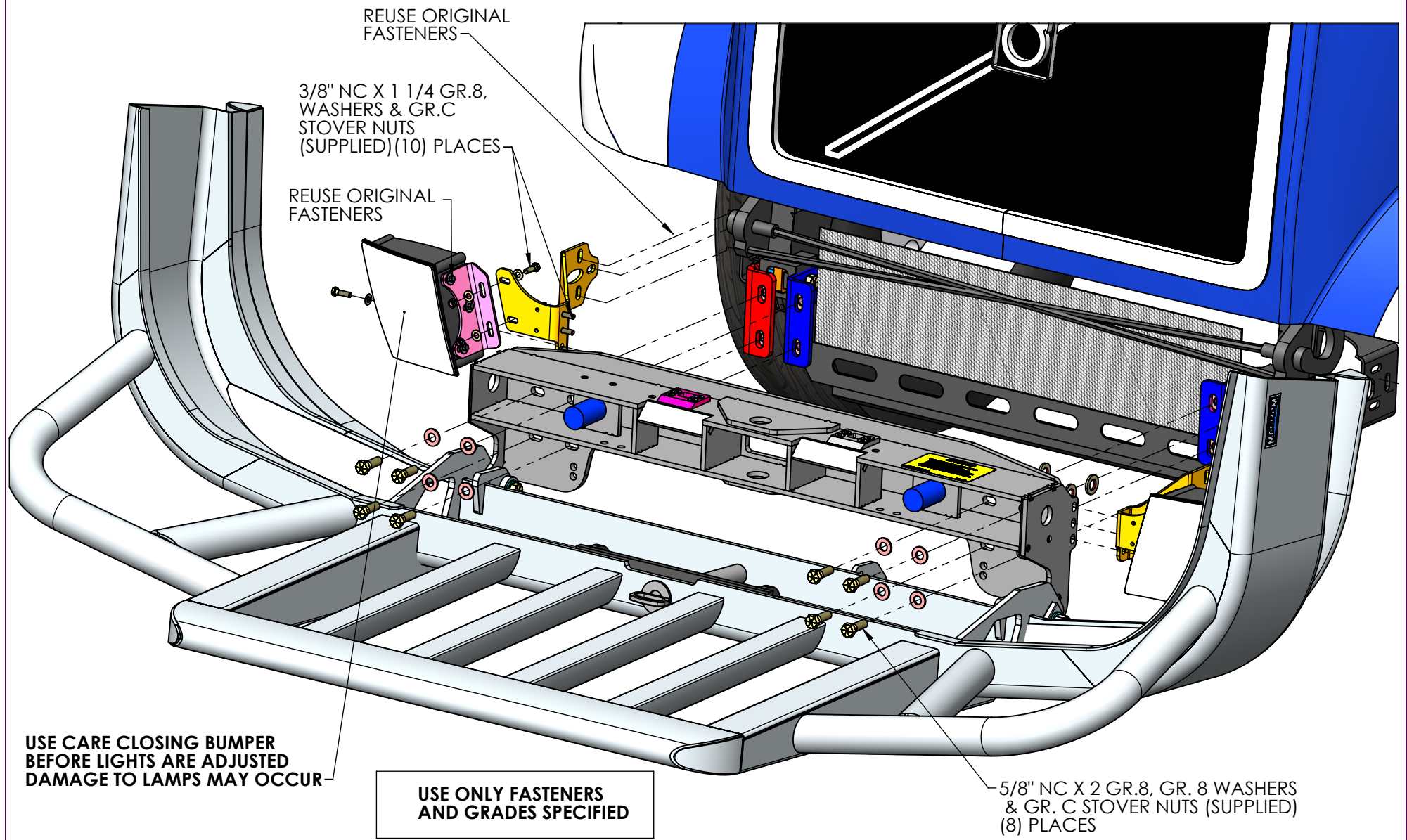
1/32	.03125	9/32	.28125	17/32	.53125	25/32	.78125
1/16	.0625	5/16	.3125	9/16	.5625	13/16	.8125
3/32	.09375	11/32	.34375	19/32	.59375	27/32	.84375
1/8	.125	3/8	.375	5/8	.625	7/8	.875
5/32	.15625	13/32	.40625	21/32	.65625	29/32	.90625
3/16	.1875	7/16	.4375	11/16	.6875	15/16	.9375
7/32	.21875	15/32	.46875	23/32	.71875	31/32	.96875
1/4	.25	1/2	.5	3/4	.75		

UNLESS OTHERWISE SPECIFIED DIMENSIONS ARE IN INCHES TOLERANCES ARE:

FRACTIONS	ANGLES
+/- 1/16"	+/- 1°
.XX"	.XXX"
+/- 0.03"	+/- 0.005"

DIMENSIONS TO SHARP POINTS


SHEET NAME		TITLE	
BRACKET INSTALL		17156 BUMPER ON 2009 VOLVO VN	
CURRENT CUSTOMER	STOCK NUMBER	VENDOR NUMBER	WEIGHT - LB.
			405.
WO#	DRAWN BY	DRAWN DATE	REV.
	GW	2013-05-03	B
SCALE	MODELLER	DRAWING NUMBER	NUMBER OF SHEETS
1:10	GW	AA-30093	2



USE CARE CLOSING BUMPER BEFORE LIGHTS ARE ADJUSTED DAMAGE TO LAMPS MAY OCCUR

USE ONLY FASTENERS AND GRADES SPECIFIED

5/8" NC X 2 GR.8, GR. 8 WASHERS & GR. C STOVER NUTS (SUPPLIED) (8) PLACES

MAGNUM TRAILER & EQUIPMENT INC. 	FRACTIONS CHART								UNLESS OTHERWISE SPECIFIED DIMENSIONS ARE IN INCHES TOLERANCES ARE: FRACTIONS ANGLES +/- 1/16" +/- 1deg		SHEET NAME BUMPER INSTALL		TITLE 17156 BUMPER ON 2009 VOLVO VN			
	1/32 .03125	9/32 .28125	17/32 .53125	25/32 .78125	1/16 .0625	5/16 .3125	9/16 .5625	13/16 .8125			CURRENT CUSTOMER		STOCK NUMBER		VENDOR NUMBER	
	3/32 .09375	11/32 .34375	19/32 .59375	27/32 .84375	1/8 .125	3/8 .375	5/8 .625	7/8 .875	DRAWN BY		DRAWN DATE		REV.			
	5/32 .15625	13/32 .40625	21/32 .65625	29/32 .90625	3/16 .1875	7/16 .4375	11/16 .6875	15/16 .9375	WO#		2013-05-03		B			
7/32 .21875	15/32 .46875	23/32 .71875	31/32 .96875	1/4 .25	1/2 .5	3/4 .75	DIMENSIONS TO SHARP POINTS		SCALE		DRAWING NUMBER		NUMBER OF SHEETS			
										1:10		AA-30093		2		