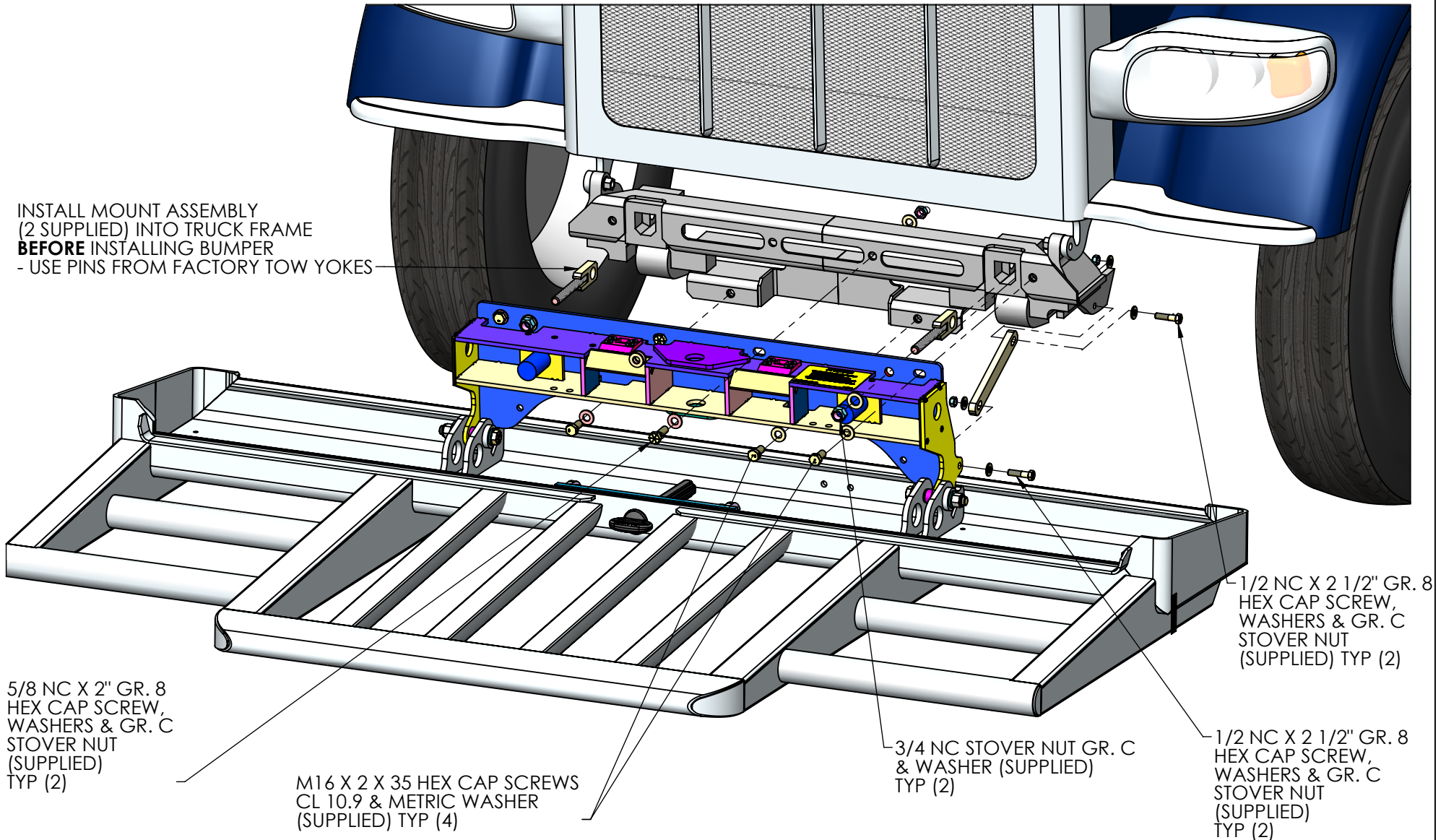


INSTALL MOUNT ASSEMBLY  
(2 SUPPLIED) INTO TRUCK FRAME  
**BEFORE** INSTALLING BUMPER  
- USE PINS FROM FACTORY TOW YOKES



5/8 NC X 2" GR. 8  
HEX CAP SCREW,  
WASHERS & GR. C  
STOVER NUT  
(SUPPLIED)  
TYP (2)

M16 X 2 X 35 HEX CAP SCREWS  
CL 10.9 & METRIC WASHER  
(SUPPLIED) TYP (4)

3/4 NC STOVER NUT GR. C  
& WASHER (SUPPLIED)  
TYP (2)

1/2 NC X 2 1/2" GR. 8  
HEX CAP SCREW,  
WASHERS & GR. C  
STOVER NUT  
(SUPPLIED) TYP (2)

1/2 NC X 2 1/2" GR. 8  
HEX CAP SCREW,  
WASHERS & GR. C  
STOVER NUT  
(SUPPLIED)  
TYP (2)

**MAGNUM TRAILER  
&  
EQUIPMENT INC.**



**FRACTIONS CHART**

1/32	.03125	9/32	.28125	17/32	.53125	25/32	.78125
1/16	.0625	5/16	.3125	9/16	.5625	13/16	.8125
3/32	.09375	11/32	.34375	19/32	.59375	27/32	.84375
1/8	.125	3/8	.375	5/8	.625	7/8	.875
5/32	.15625	13/32	.40625	21/32	.65625	29/32	.90625
3/16	.1875	7/16	.4375	11/16	.6875	15/16	.9375
7/32	.21875	15/32	.46875	23/32	.71875	31/32	.96875
1/4	.25	1/2	.5	3/4	.75		

UNLESS OTHERWISE SPECIFIED  
DIMENSIONS ARE IN INCHES  
TOLERANCES ARE:

FRACTIONS	ANGLES
XX"	.XXX"
+/- 0.03"	+/- 0.005"

DIMENSIONS TO SHARP POINTS

SHEET NAME		TITLE			
Sheet1		17271 BUMPER ON 2007 PETERBILT 388/389			
CURRENT CUSTOMER	STOCK NUMBER	VENDOR NUMBER		WEIGHT - LB.	
				355.	
WO#	DRAWN BY	DRAWN DATE	CHECKED BY	CHECKED DATE	REV.
	DP	10/29/2020	LS	10/30/2020	
SCALE	MODELLER	DRAWING NUMBER		NUMBER OF SHEETS	
1:12	DP	AA-56984		1	