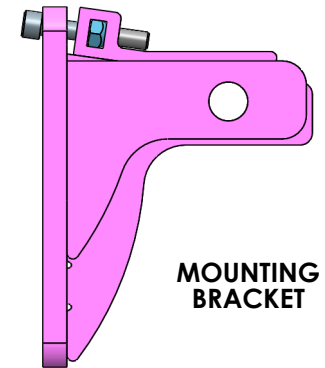
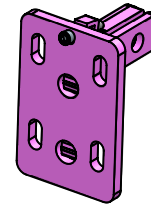


**IMPORTANT:**

IF EQUIPED, RADAR MUST BE REMOVED BEFORE BUMPER INSTALLATION.

**INSTRUCTIONS:**

1. LOOSEN THE SCREW ON THE MOUNTING BRACKET UNTIL IT IS EASILY ABLE TO SLIDE INTO THE TOW SOCKETS
2. WITH THE MOUNT BRACKET INSERTED INTO THE TOW SOCKETS SLIDE THE FACTORY TOW PIN (OR A EQUIVALENT 3/4" BOLT - NOT SUPPLIED) THROUGH THE HOLE IN BOTH THE TOW SOCKET AND MOUNTING BRACKET
3. TIGHTEN THE SCREW UNTIL THE MOUNTING BRACKET IS SECURED



**MAGNUM TRAILER  
&  
EQUIPMENT INC.**



**FRACTIONS CHART**

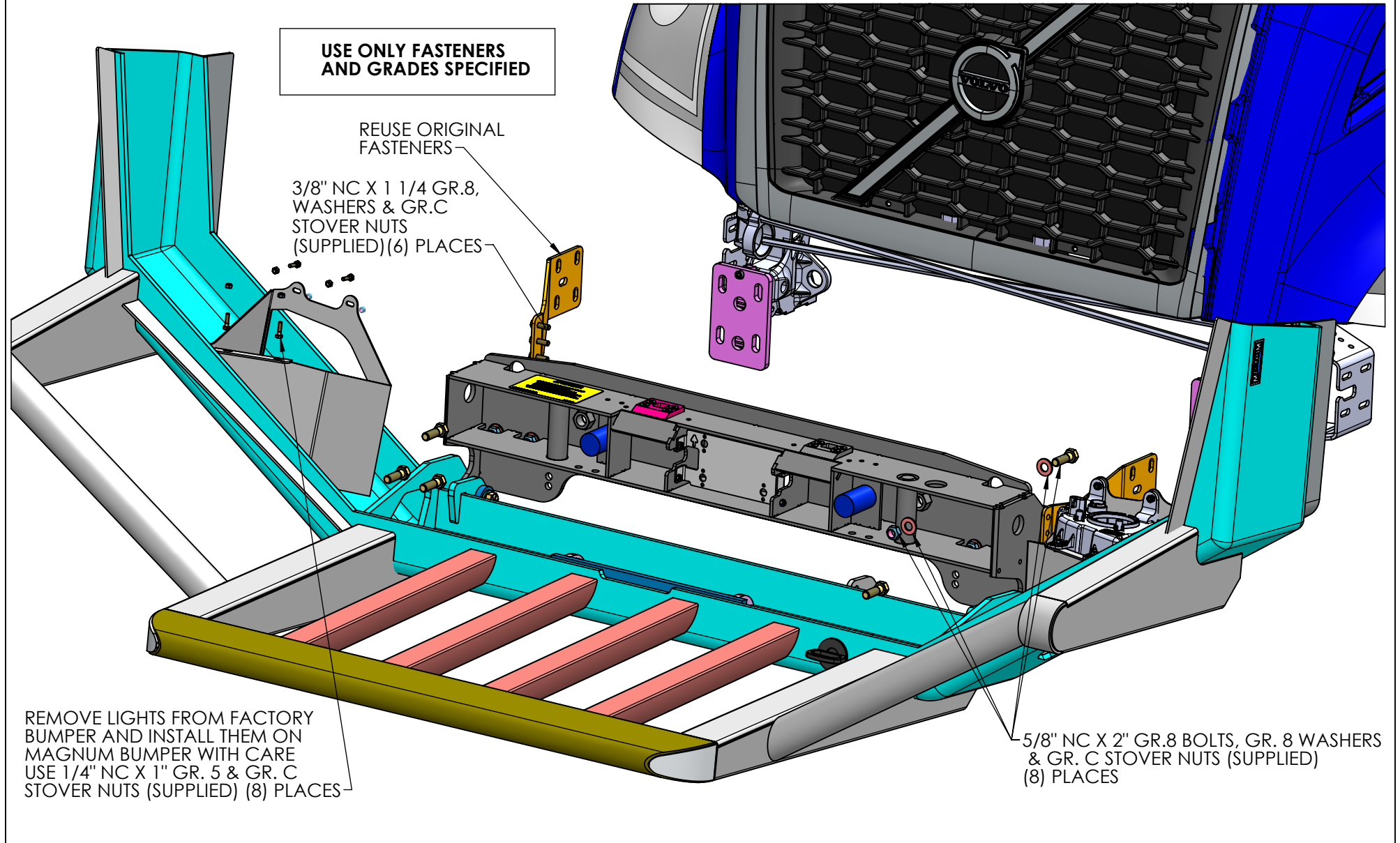
1/32	.03125	9/32	.28125	17/32	.53125	25/32	.78125
1/16	.0625	5/16	.3125	9/16	.5625	13/16	.8125
3/32	.09375	11/32	.34375	19/32	.59375	27/32	.84375
1/8	.125	3/8	.375	5/8	.625	7/8	.875
5/32	.15625	13/32	.40625	21/32	.65625	29/32	.90625
3/16	.1875	7/16	.4375	11/16	.6875	15/16	.9375
7/32	.21875	15/32	.46875	23/32	.71875	31/32	.96875
1/4	.25	1/2	.5	3/4	.75		


UNLESS OTHERWISE SPECIFIED  
DIMENSIONS ARE IN INCHES  
TOLERANCES ARE:

FRACTIONS	ANGLES
+/- 1/16"	+/- 1°
.XX"	.XXX"
+/- 0.03"	+/- 0.005"

**DIMENSIONS TO SHARP POINTS**

SHEET NAME <b>BRACKET INSTALL</b>		TITLE <b>17269 BUMPER ON VOLVO VNL</b>			
CURRENT CUSTOMER		STOCK NUMBER		VENDOR NUMBER	
WEIGHT - LB.					
<b>WO#</b>	DRAWN BY DP	DRAWN DATE 2019-11-20	CHECKED BY LS	CHECKED DATE 2019-12-09	REV.
SCALE 1:8	MODELLER MD	DRAWING NUMBER <b>AA-54122</b>			NUMBER OF SHEETS 3



<b>MAGNUM TRAILER &amp; EQUIPMENT INC.</b> 	<b>FRACTIONS CHART</b>								UNLESS OTHERWISE SPECIFIED DIMENSIONS ARE IN INCHES TOLERANCES ARE: <b>FRACTIONS</b> <b>ANGLES</b> +/- 1/16"    +/- 1° .XX"    .XXX" +/- 0.03"    +/- 0.005"	SHEET NAME <b>BUMPER INSTALL</b>		TITLE <b>17269 BUMPER ON VOLVO VNL</b>							
	1/32 .03125		9/32 .28125		17/32 .53125		25/32 .78125			CURRENT CUSTOMER		STOCK NUMBER		VENDOR NUMBER		WEIGHT - LB.			
	1/16 .0625		5/16 .3125		9/16 .5625		13/16 .8125			WO#		DRAWN BY		DRAWN DATE		CHECKED BY		CHECKED DATE	
	3/32 .09375		11/32 .34375		19/32 .59375		27/32 .84375			SCALE		DP		2019-11-20		LS		2019-12-09	
1/8 .125		3/8 .375		5/8 .625		7/8 .875		1:10		MD		AA-54122		NUMBER OF SHEETS		3			
5/32 .15625		13/32 .40625		21/32 .65625		29/32 .90625													
3/16 .1875		7/16 .4375		11/16 .6875		15/16 .9375													
7/32 .21875		15/32 .46875		23/32 .71875		31/32 .96875													
1/4 .25		1/2 .5		3/4 .75															

**USE ONLY FASTENERS AND GRADES SPECIFIED**

**STEP (2):**  
RECONNECT RADAR TO THE TRUCK  
(USE BRACKET SLOT TO FISH RADAR CABLE)

**STEP (1):**  
INSTALL RADAR INTO RADAR  
BRACKET SUPPLIED REUSING  
ORIGINAL ADJUSTABLE STAND-OFF  
AND FASTENERS

**STEP (3):**  
MOUNT RADAR BRACKET  
WITH RADAR INSTALLED  
ON IT USING 1/4" NC X 3/4"  
GR. 5 AND GR. C STOVER  
NUTS (SUPPLIED)(4) PLACES

**DETAIL A  
SCALE 1 : 5**

**NOTE:**

RADAR MUST BE ALIGNED AND RE-CALIBRATED AFTER BUMPER INSTALLATION. ALIGNMENT AND CALIBRATION CAN ONLY BE DONE BY AUTHORIZED PERSONNEL.

**MAGNUM TRAILER  
&  
EQUIPMENT INC.**



**FRACTIONS CHART**

1/32	.03125	9/32	.28125	17/32	.53125	25/32	.78125
1/16	.0625	5/16	.3125	9/16	.5625	13/16	.8125
3/32	.09375	11/32	.34375	19/32	.59375	27/32	.84375
1/8	.125	3/8	.375	5/8	.625	7/8	.875
5/32	.15625	13/32	.40625	21/32	.65625	29/32	.90625
3/16	.1875	7/16	.4375	11/16	.6875	15/16	.9375
7/32	.21875	15/32	.46875	23/32	.71875	31/32	.96875
1/4	.25	1/2	.5	3/4	.75		

UNLESS OTHERWISE SPECIFIED  
DIMENSIONS ARE IN INCHES  
TOLERANCES ARE:

FRACTIONS	ANGLES
+/- 1/16"	+/- 1°
.XX"	.XXX"
+/- 0.03"	+/- 0.005"

**DIMENSIONS TO SHARP POINTS**

SHEET NAME	TITLE			
RADAR INSTALL	17269 BUMPER ON VOLVO VNL			
CURRENT CUSTOMER	STOCK NUMBER	VENDOR NUMBER		WEIGHT - LB.
<b>WO#</b>	DRAWN BY	DRAWN DATE	CHECKED BY	CHECKED DATE
	DP	2019-11-20	LS	2019-12-09
SCALE	MODELLER	DRAWING NUMBER		NUMBER OF SHEETS
1:8	MD	AA-54122		3