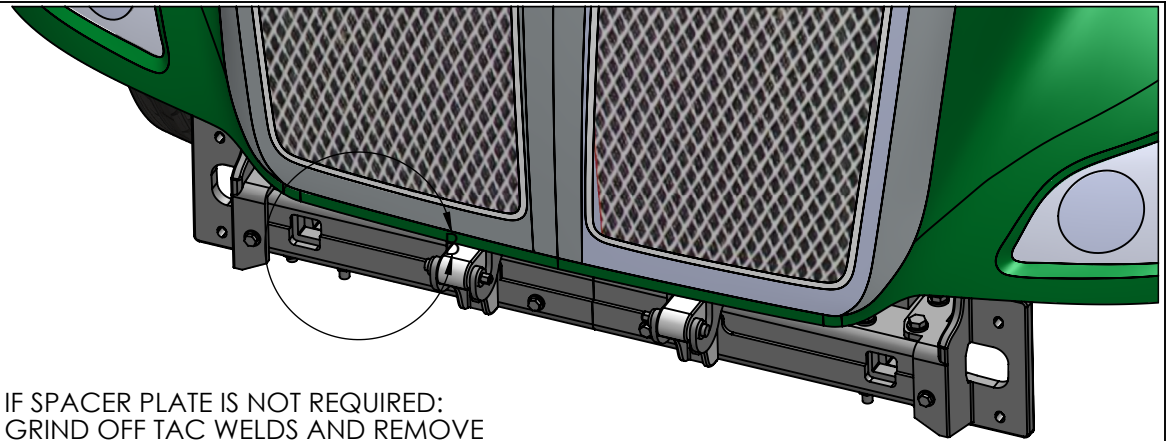
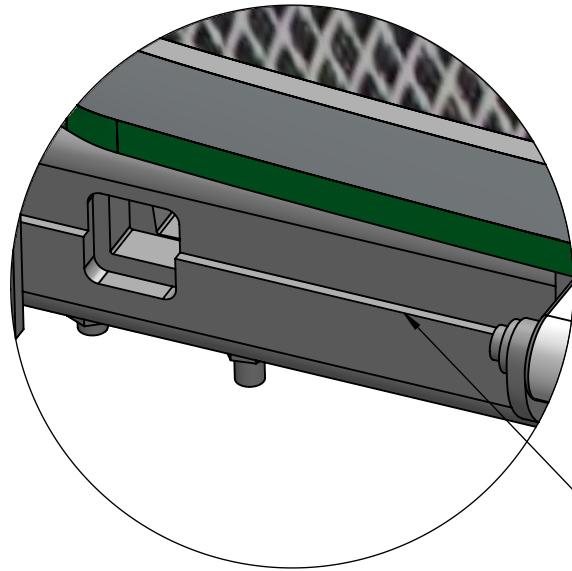


ATTENTION:

CHECK THE CROSS MEMBER OF THE TRUCK IN ORDER TO DETERMINE WHETHER THE SPACER PLATE IS REQUIRED. CONTRARY TO THE TWO CONFIGURATIONS OUTLINED IN DETAIL B COULD RESULT IN DAMAGE TO THE BUMPER AND/OR TRUCK.



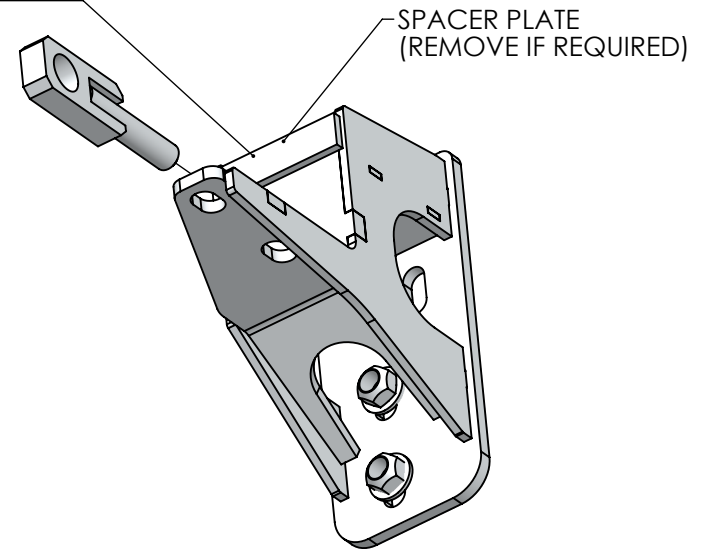
IF SPACER PLATE IS NOT REQUIRED: GRIND OFF TAC WELDS AND REMOVE SPACER. PAINT BARE METAL TO PREVENT CORROSION. REPEAT FOR OTHER MOUNTING BRACKET.



**DETAIL B
SCALE 1 : 4**

1. INSPECT CROSS MEMBER FOR RIDGE. IF THERE IS A RIDGE THE SPACER PLATE IS REQUIRED.

2. IF TRUCK CROSS MEMBER IS FLAT, SPACER IS NOT REQUIRED.



MOUNTING BRACKET ASSEMBLY



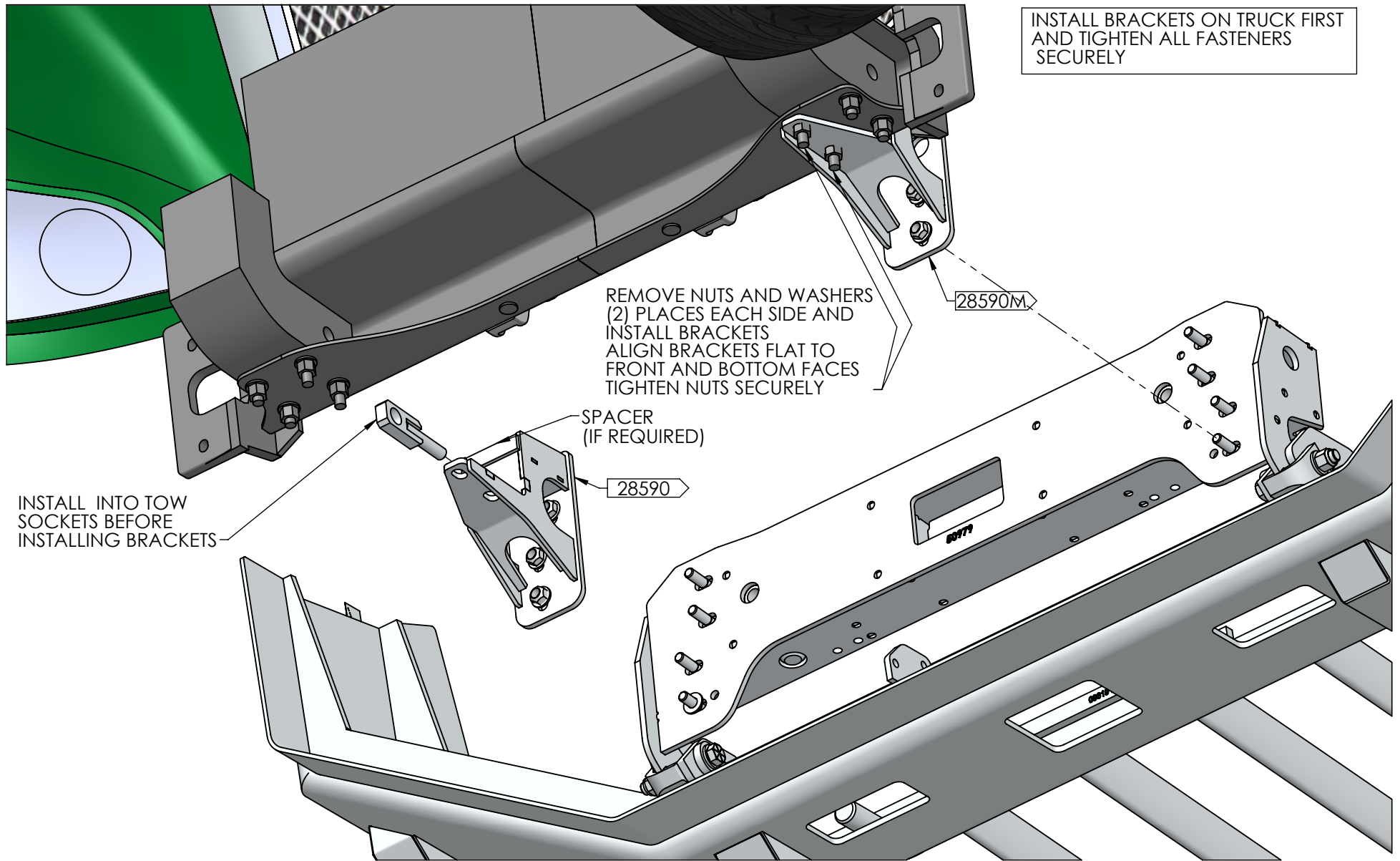
FRACTIONS CHART			
1/32	.03125	9/32	.28125
1/16	.0625	5/16	.3125
3/32	.09375	11/32	.34375
1/8	.125	3/8	.375
5/32	.15625	13/32	.40625
3/16	.1875	7/16	.4375
7/32	.21875	15/32	.46875
1/4	.25	1/2	.5
17/32	.53125	9/16	.5625
19/32	.59375	5/8	.625
21/32	.65625	11/16	.6875
23/32	.71875	15/16	.9375
31/32	.96875		

UNLESS OTHERWISE SPECIFIED DIMENSIONS ARE IN INCHES TOLERANCES ARE:

FRACTIONS	ANGLES
+/- 1/16"	+/- 1°
.XX"	.XXX"
+/- 0.03"	+/- 0.005"

DIMENSIONS TO SHARP POINTS

SHEET NAME SPACER PLATE		TITLE 17268-X-NL-X BUMPER ON 2013 KENWORTH T-680			
CURRENT CUSTOMER		STOCK NUMBER		VENDOR NUMBER	
WEIGHT - LB.					
DRAWN BY DP		DRAWN DATE 11/20/2019		CHECKED BY LS	
CHECKED DATE 12/9/2019		REV.			
SCALE 1:12		MODELLER MD		DRAWING NUMBER AA-54119	
NUMBER OF SHEETS 5					



MAGNUM TRAILER & EQUIPMENT INC.



FRACTIONS CHART

1/32	.03125	9/32	.28125	17/32	.53125	25/32	.78125
1/16	.0625	5/16	.3125	9/16	.5625	13/16	.8125
3/32	.09375	11/32	.34375	19/32	.59375	27/32	.84375
1/8	.125	3/8	.375	5/8	.625	7/8	.875
5/32	.15625	13/32	.40625	21/32	.65625	29/32	.90625
3/16	.1875	7/16	.4375	11/16	.6875	15/16	.9375
7/32	.21875	15/32	.46875	23/32	.71875	31/32	.96875
1/4	.25	1/2	.5	3/4	.75		

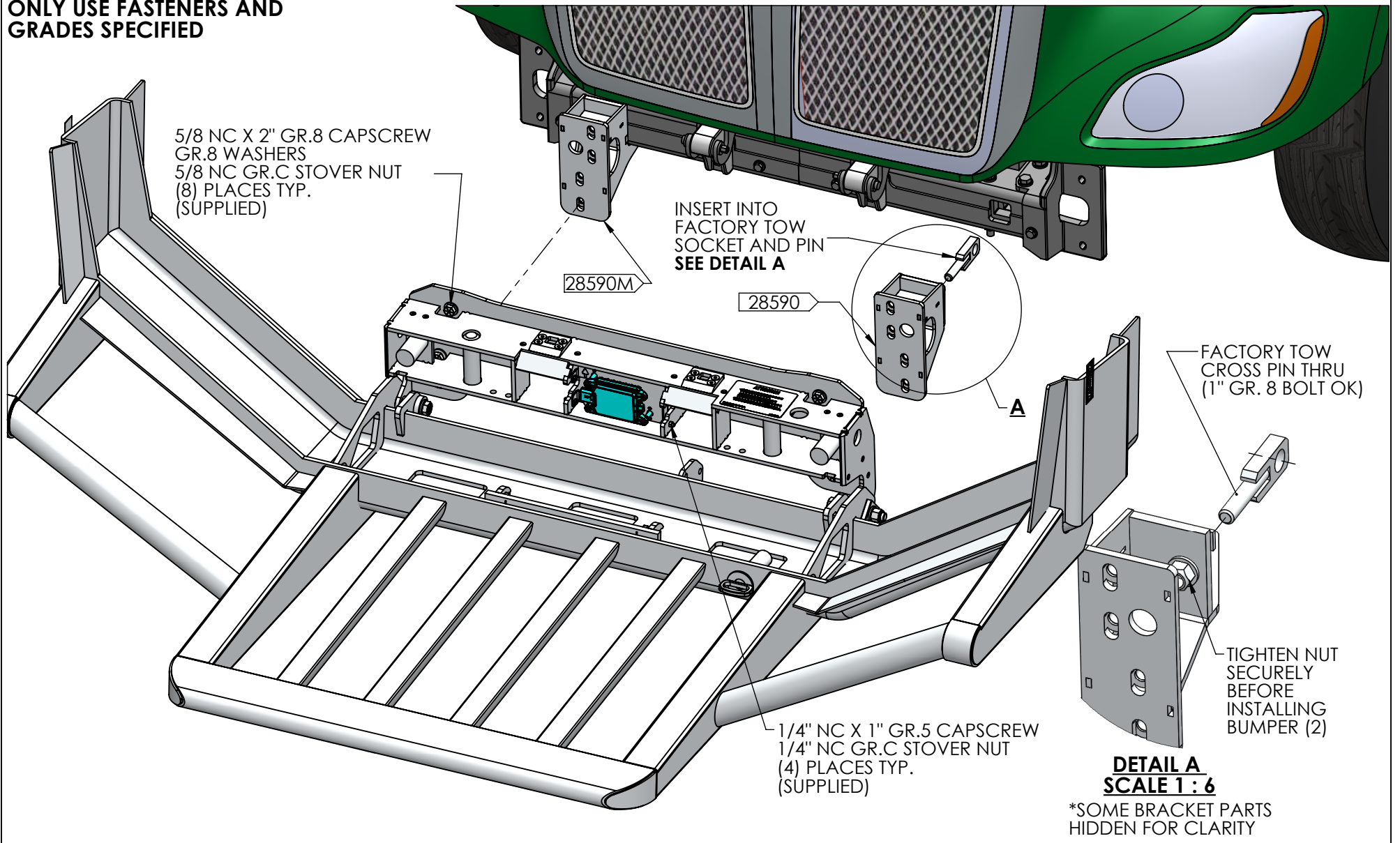
UNLESS OTHERWISE SPECIFIED DIMENSIONS ARE IN INCHES TOLERANCES ARE:

FRACTIONS	ANGLES
+/- 1/16"	+/- 1°
.XX"	.XXX"
+/- 0.03"	+/- 0.005"

DIMENSIONS TO SHARP POINTS

SHEET NAME		TITLE			
BRACKET INSTALL		17268-X-NL-X BUMPER ON 2013 KENWORTH T-680			
CURRENT CUSTOMER		STOCK NUMBER		VENDOR NUMBER	
WO#		DRAWN BY		CHECKED BY	
SCALE		DRAWN DATE		CHECKED DATE	
1:8		11/20/2019		12/9/2019	
MODELLER		DRAWING NUMBER		NUMBER OF SHEETS	
MD		AA-54119		5	
		WEIGHT - LB.		REV.	

ONLY USE FASTENERS AND GRADES SPECIFIED



**DETAIL A
SCALE 1 : 6**

*SOME BRACKET PARTS HIDDEN FOR CLARITY

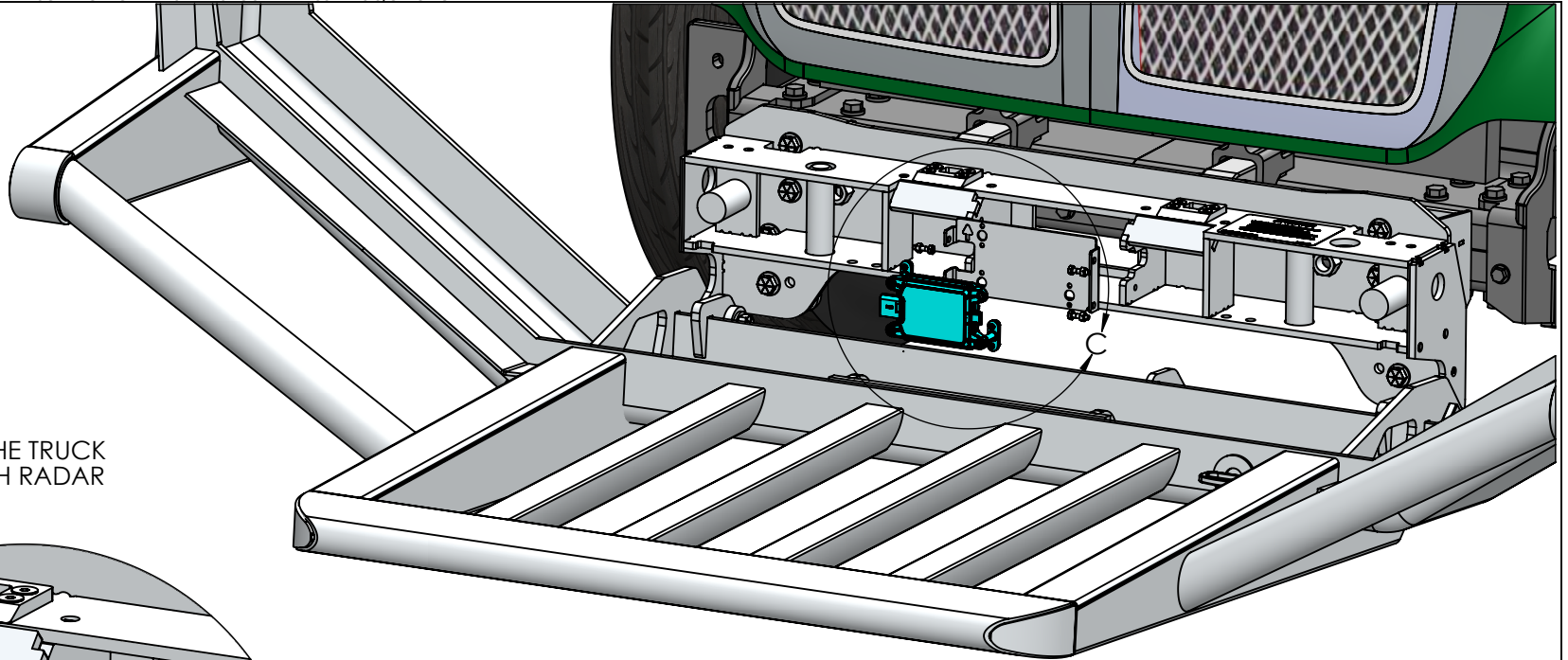


FRACTIONS CHART							
1/32	.03125	9/32	.28125	17/32	.53125	25/32	.78125
1/16	.0625	5/16	.3125	9/16	.5625	13/16	.8125
3/32	.09375	11/32	.34375	19/32	.59375	27/32	.84375
1/8	.125	3/8	.375	5/8	.625	7/8	.875
5/32	.15625	13/32	.40625	21/32	.65625	29/32	.90625
3/16	.1875	7/16	.4375	11/16	.6875	15/16	.9375
7/32	.21875	15/32	.46875	23/32	.71875	31/32	.96875
1/4	.25	1/2	.5	3/4	.75		

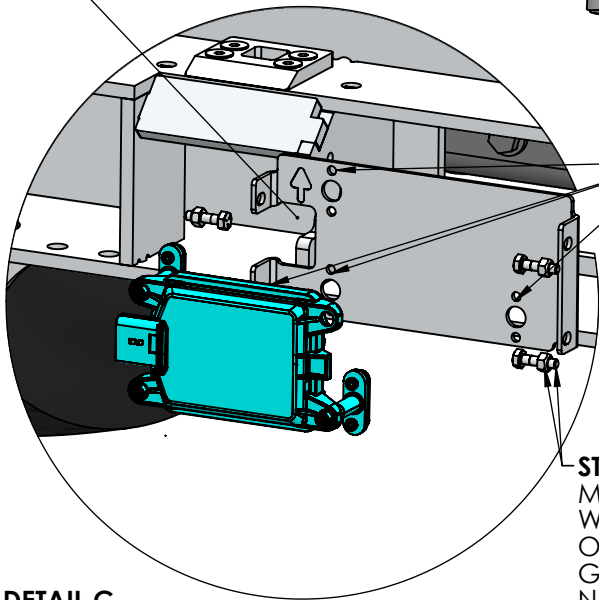
UNLESS OTHERWISE SPECIFIED DIMENSIONS ARE IN INCHES
TOLERANCES ARE:
FRACTIONS ANGLES
+/- 1/16" +/- 1°
.XX" .XXX"
+/- 0.03" +/- 0.005"
DIMENSIONS TO SHARP POINTS

SHEET NAME		TITLE			
BUMPER INSTALL		17268-X-NL-X BUMPER ON 2013 KENWORTH T-680			
CURRENT CUSTOMER	STOCK NUMBER	VENDOR NUMBER		WEIGHT - LB.	
WO#	DRAWN BY	DRAWN DATE	CHECKED BY	CHECKED DATE	REV.
	DP	11/20/2019	LS	12/9/2019	
SCALE	MODELLER	DRAWING NUMBER		NUMBER OF SHEETS	
1:12	MD	AA-54119		5	

USE ONLY FASTENERS AND GRADES SPECIFIED



STEP (2):
RECONNECT RADAR TO THE TRUCK
(USE BRACKET SLOT TO FISH RADAR
CABLE)



STEP (1):
INSTALL RADAR INTO RADAR
BRACKET SUPPLIED REUSING
ORIGINAL ADJUSTABLE STAND-OFF
AND FASTENERS

STEP (3):
MOUNT RADAR BRACKET
WITH RADAR INSTALLED
ON IT USING 1/4" NC X 1"
GR. 5 AND GR. C STOVER
NUTS (SUPPLIED)(4) PLACES

NOTE:

IF EQUIPED, RADAR MUST BE REMOVED BEFORE BUMPER INSTALLATION.
RADAR MUST BE RE-CALIBRATED AFTER BUMPER INSTALLATION,
CALIBRATION CAN ONLY BE DONE BY AUTHORIZED PERSONNEL.

**DETAIL C
SCALE 1 : 5**

**MAGNUM TRAILER
&
EQUIPMENT INC.**



FRACTIONS CHART

1/32	.03125	9/32	.28125	17/32	.53125	25/32	.78125
1/16	.0625	5/16	.3125	9/16	.5625	13/16	.8125
3/32	.09375	11/32	.34375	19/32	.59375	27/32	.84375
1/8	.125	3/8	.375	5/8	.625	7/8	.875
5/32	.15625	13/32	.40625	21/32	.65625	29/32	.90625
3/16	.1875	7/16	.4375	11/16	.6875	15/16	.9375
7/32	.21875	15/32	.46875	23/32	.71875	31/32	.96875
1/4	.25	1/2	.5	3/4	.75		

UNLESS OTHERWISE SPECIFIED
DIMENSIONS ARE IN INCHES
TOLERANCES ARE:

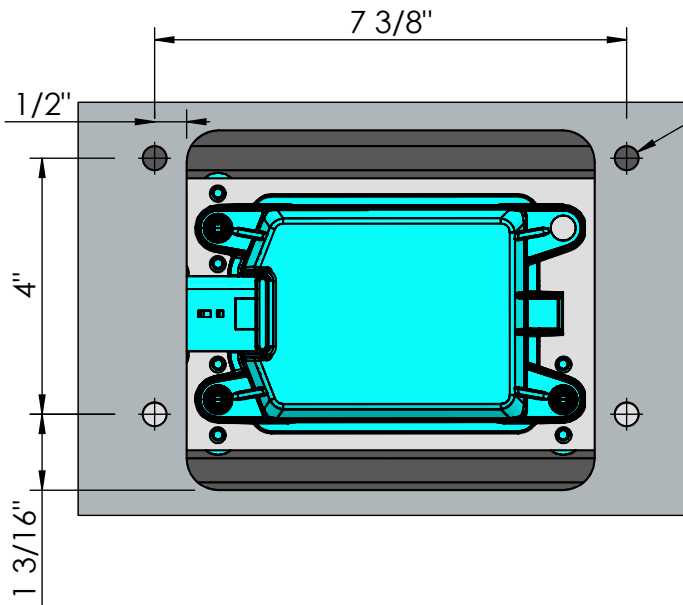
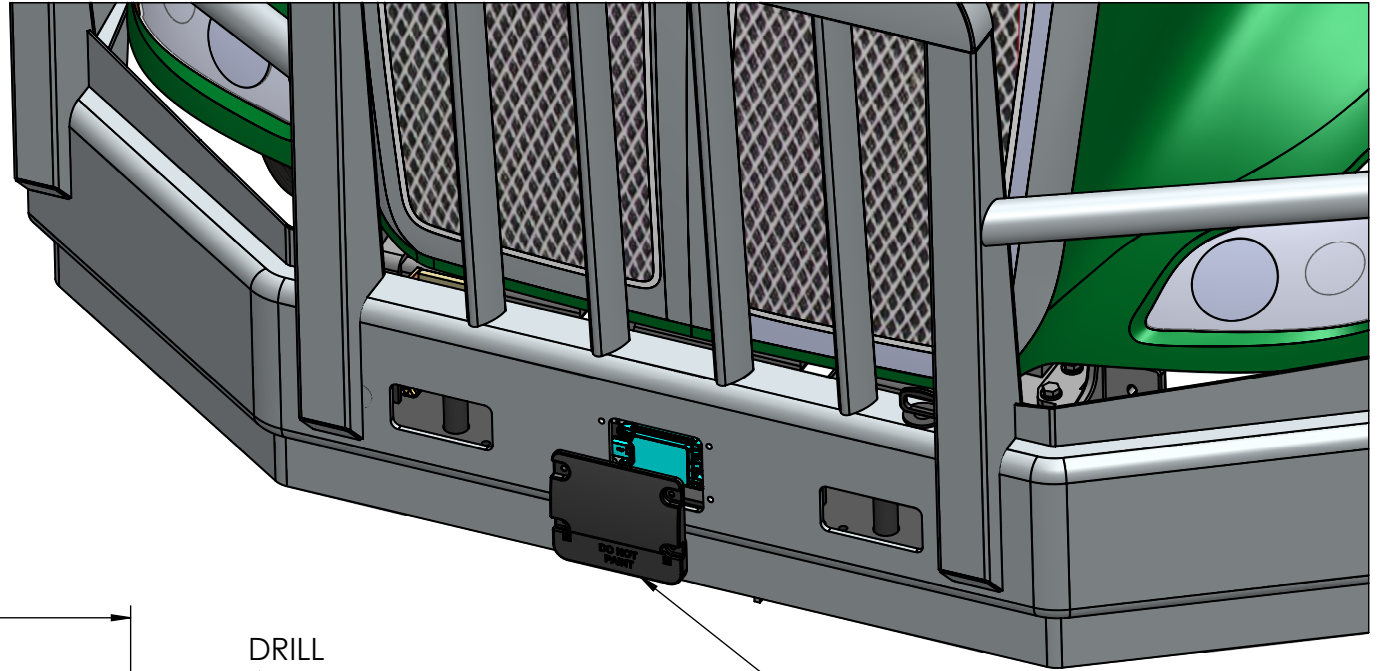
FRACTIONS	ANGLES
+/- 1/16"	+/- 1°
.XX"	.XXX"
+/- 0.03"	+/- 0.005"

DIMENSIONS TO SHARP POINTS

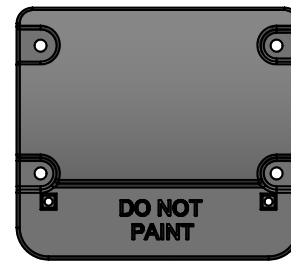
SHEET NAME RADAR INSTALL		TITLE 17268-X-NL-X BUMPER ON 2013 KENWORTH T-680			
CURRENT CUSTOMER		STOCK NUMBER		VENDOR NUMBER	
WEIGHT - LB.					
WO#	DRAWN BY DP	DRAWN DATE 11/20/2019	CHECKED BY LS	CHECKED DATE 12/9/2019	REV.
SCALE 1:12	MODELLER MD		DRAWING NUMBER AA-54119		NUMBER OF SHEETS 5

ATTENTION:

INSTALLING THE LICENSE PLATE ON THE RADAR COVER PLATE MAY INTERFERE WITH THE RADAR.



DRILL
Ø 3/8".
TYP (4)



RADAR COVER PLATE

REMOVE COVER PLATE FROM THE ORIGINAL BUMPER AND INSTALL USING 3/8" HARDWARE (NOT SUPPLIED).

MAGNUM TRAILER & EQUIPMENT INC.



FRACTIONS CHART

1/32	.03125	9/32	.28125	17/32	.53125	25/32	.78125
1/16	.0625	5/16	.3125	9/16	.5625	13/16	.8125
3/32	.09375	11/32	.34375	19/32	.59375	27/32	.84375
1/8	.125	3/8	.375	5/8	.625	7/8	.875
5/32	.15625	13/32	.40625	21/32	.65625	29/32	.90625
3/16	.1875	7/16	.4375	11/16	.6875	15/16	.9375
7/32	.21875	15/32	.46875	23/32	.71875	31/32	.96875
1/4	.25	1/2	.5	3/4	.75		

UNLESS OTHERWISE SPECIFIED DIMENSIONS ARE IN INCHES TOLERANCES ARE:

FRACTIONS	ANGLES
+/- 1/16"	+/- 1°
.XX"	.XXX"
+/- 0.03"	+/- 0.005"

DIMENSIONS TO SHARP POINTS

SHEET NAME		TITLE			
RADAR COVER		17268-X-NL-X BUMPER ON 2013 KENWORTH T-680			
CURRENT CUSTOMER		STOCK NUMBER		VENDOR NUMBER	
WO#		DRAWN DATE		CHECKED DATE	
SCALE		DRAWN BY		CHECKED BY	
1:12		DP		LS	
		MODELLER		DRAWING NUMBER	
		MD		AA-54119	
				WEIGHT - LB.	
				REV.	
				NUMBER OF SHEETS	
				5	