

**MAGNUM TRAILER & EQUIPMENT INC.**

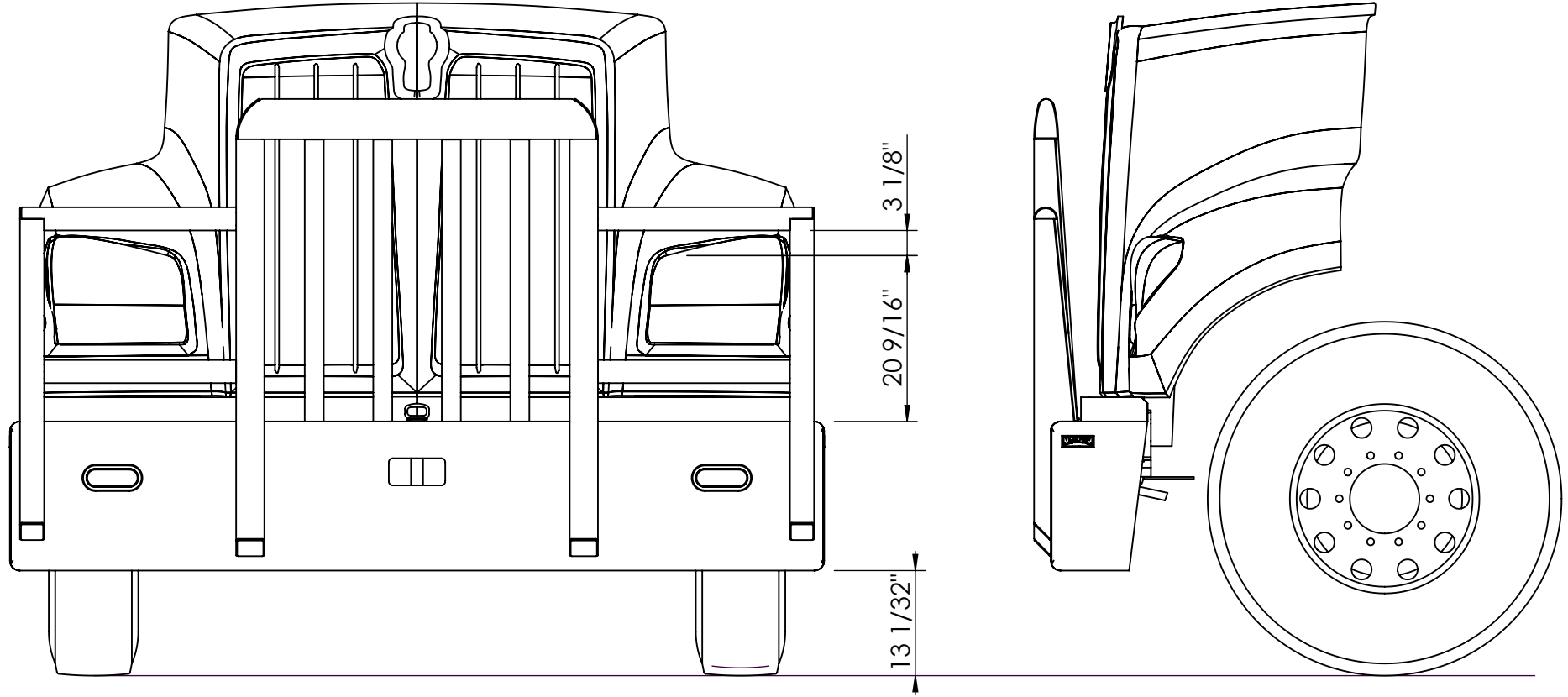
| FRACTIONS CHART |        |       |        |       |        |       |        |
|-----------------|--------|-------|--------|-------|--------|-------|--------|
| 1/32            | .03125 | 9/32  | .28125 | 17/32 | .53125 | 25/32 | .78125 |
| 1/16            | .0625  | 5/16  | .3125  | 9/16  | .5625  | 13/16 | .8125  |
| 3/32            | .09375 | 11/32 | .34375 | 19/32 | .59375 | 27/32 | .84375 |
| 1/8             | .125   | 3/8   | .375   | 5/8   | .625   | 7/8   | .875   |
| 5/32            | .15625 | 13/32 | .40625 | 21/32 | .65625 | 29/32 | .90625 |
| 3/16            | .1875  | 7/16  | .4375  | 11/16 | .6875  | 15/16 | .9375  |
| 7/32            | .21875 | 15/32 | .46875 | 23/32 | .71875 | 31/32 | .96875 |
| 1/4             | .25    | 1/2   | .5     | 3/4   | .75    |       |        |

UNLESS OTHERWISE SPECIFIED DIMENSIONS ARE IN INCHES TOLERANCES ARE:

|           |            |
|-----------|------------|
| FRACTIONS | ANGLES     |
| +/- 1/16" | +/- 1°     |
| .XX"      | .XXX"      |
| +/- 0.03" | +/- 0.005" |

DIMENSIONS TO SHARP POINTS

|                              |                |  |                       |
|------------------------------|----------------|--|-----------------------|
| SHEET NAME<br><b>INSTALL</b> |                | TITLE<br><b>17262 BUMPER ON 2019 KW W-990L</b> |                       |
| CURRENT CUSTOMER             | STOCK NUMBER   | VENDOR NUMBER                                  | WEIGHT - LB.          |
| <b>WO#</b>                   | DRAWN BY<br>LS | DRAWN DATE<br>2/8/2019                         | REV.<br><b>A</b>      |
| SCALE<br>1:12                | MODELLER<br>LS | DRAWING NUMBER<br><b>AA-51759</b>              | NUMBER OF SHEETS<br>1 |



**MAGNUM TRAILER  
&  
EQUIPMENT INC.**



**FRACTIONS CHART**

|      |        |       |        |       |        |       |        |
|------|--------|-------|--------|-------|--------|-------|--------|
| 1/32 | .03125 | 9/32  | .28125 | 17/32 | .53125 | 25/32 | .78125 |
| 1/16 | .0625  | 5/16  | .3125  | 9/16  | .5625  | 13/16 | .8125  |
| 3/32 | .09375 | 11/32 | .34375 | 19/32 | .59375 | 27/32 | .84375 |
| 1/8  | .125   | 3/8   | .375   | 5/8   | .625   | 7/8   | .875   |
| 5/32 | .15625 | 13/32 | .40625 | 21/32 | .65625 | 29/32 | .90625 |
| 3/16 | .1875  | 7/16  | .4375  | 11/16 | .6875  | 15/16 | .9375  |
| 7/32 | .21875 | 15/32 | .46875 | 23/32 | .71875 | 31/32 | .96875 |
| 1/4  | .25    | 1/2   | .5     | 3/4   | .75    |       |        |

UNLESS OTHERWISE SPECIFIED  
DIMENSIONS ARE IN INCHES  
TOLERANCES ARE:

| FRACTIONS | ANGLES     |
|-----------|------------|
| +/- 1/16" | +/- 1°     |
| .XX"      | .XXX"      |
| +/- 0.03" | +/- 0.005" |

**DIMENSIONS TO SHARP POINTS**

SHEET NAME  
**SALES DIMENSIONS**

CURRENT CUSTOMER

**WO#**

SCALE 1:20

TITLE  
**17262 BUMPER ON 2019 KW W-990L**

STOCK NUMBER

VENDOR NUMBER

WEIGHT - LB.

DRAWN BY  
LS

DRAWN DATE

2/8/2019

REV.  
**A**

MODELLER  
LS

DRAWING NUMBER

**AA-51759**

NUMBER OF SHEETS

1