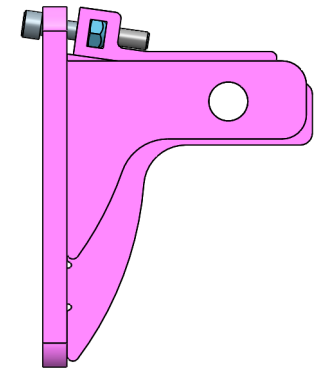
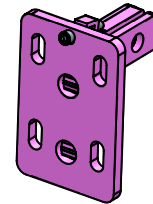



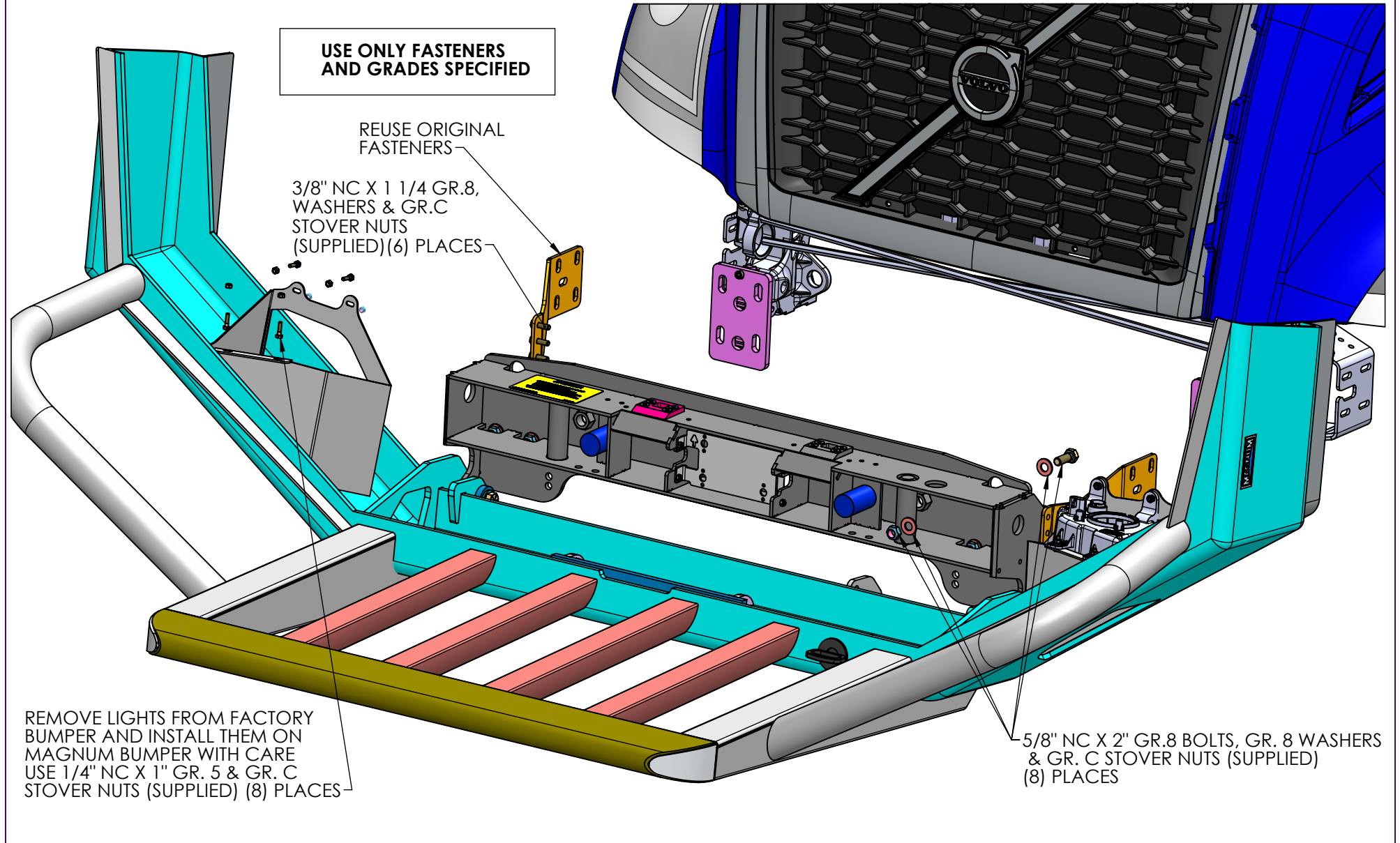
**INSTRUCTIONS:**

1. LOOSEN THE SCREW ON THE MOUNTING BRACKET UNTIL IT IS EASILY ABLE TO SLIDE INTO THE TOW SOCKETS
2. WITH THE MOUNT BRACKET INSERTED INTO THE TOW SOCKETS SLIDE THE FACTORY TOW PIN (OR A EQUIVALENT 3/4" BOLT - NOT SUPPLIED) THROUGH THE HOLE IN BOTH THE TOW SOCKET AND MOUNTING BRACKET
3. TIGHTEN THE SCREW UNTIL THE MOUNTING BRACKET IS SECURED



MOUNTING BRACKET

<b>MAGNUM TRAILER &amp; EQUIPMENT INC.</b> 	<b>FRACTIONS CHART</b>				UNLESS OTHERWISE SPECIFIED DIMENSIONS ARE IN INCHES TOLERANCES ARE:  <b>FRACTIONS ANGLES</b> +/- 1/16" +/- 1deg  <b>DIMENSIONS TO SHARP POINTS</b>	SHEET NAME <b>BRACKET INSTALL</b>		TITLE <b>17259 BUMPER ON VOLVO VNL</b>		
	1/32 .03125	9/32 .28125	17/32 .53125	25/32 .78125		CURRENT CUSTOMER	STOCK NUMBER	VENDOR NUMBER	WEIGHT - LB.	
	1/16 .0625	5/16 .3125	9/16 .5625	13/16 .8125		<b>WO#</b>	DRAWN BY MD	DRAWN DATE 2019-02-11		REV. <b>A</b>
	3/32 .09375	11/32 .34375	19/32 .59375	27/32 .84375		SCALE 1:8	MODELLER MD	DRAWING NUMBER <b>AA-51383</b>		NUMBER OF SHEETS 3



**USE ONLY FASTENERS AND GRADES SPECIFIED**

REUSE ORIGINAL FASTENERS

3/8" NC X 1 1/4 GR.8, WASHERS & GR.C STOVER NUTS (SUPPLIED)(6) PLACES

REMOVE LIGHTS FROM FACTORY BUMPER AND INSTALL THEM ON MAGNUM BUMPER WITH CARE USE 1/4" NC X 1" GR. 5 & GR. C STOVER NUTS (SUPPLIED) (8) PLACES

5/8" NC X 2" GR.8 BOLTS, GR. 8 WASHERS & GR. C STOVER NUTS (SUPPLIED) (8) PLACES

**MAGNUM TRAILER & EQUIPMENT INC.**

FRACTIONS CHART					
1/32	.03125	9/32	.28125	17/32	.53125
1/16	.0625	5/16	.3125	9/16	.5625
3/32	.09375	11/32	.34375	13/16	.8125
1/8	.125	3/8	.375	19/32	.59375
5/32	.15625	13/32	.40625	5/8	.625
3/16	.1875	7/16	.4375	21/32	.65625
7/32	.21875	15/32	.46875	11/16	.6875
1/4	.25	1/2	.5	15/16	.9375
				23/32	.71875
				31/32	.96875
				3/4	.75

UNLESS OTHERWISE SPECIFIED DIMENSIONS ARE IN INCHES TOLERANCES ARE:

FRACTIONS ANGLES  
+/- 1/16" +/- 1deg

DIMENSIONS TO SHARP POINTS

SHEET NAME <b>BUMPER INSTALL</b>		TITLE <b>17259 BUMPER ON VOLVO VNL</b>	
CURRENT CUSTOMER	STOCK NUMBER	VENDOR NUMBER	WEIGHT - LB.
WO#	DRAWN BY MD	DRAWN DATE 2019-02-11	REV. A
SCALE 1:10	MODELLER MD	DRAWING NUMBER <b>AA-51383</b>	NUMBER OF SHEETS 3

**USE ONLY FASTENERS AND GRADES SPECIFIED**

**STEP (2):**  
RECONNECT RADAR TO THE TRUCK  
(USE BRACKET SLOT TO FISH RADAR CABLE)

**STEP (1):**  
INSTALL RADAR INTO RADAR  
BRACKET SUPPLIED REUSING  
ORIGINAL ADJUSTABLE STAND-OFF  
AND FASTENERS

**STEP (3):**  
MOUNT RADAR BRACKET  
WITH RADAR INSTALLED  
ON IT USING 1/4" NC X 3/4"  
GR. 5 AND GR. C STOVER  
NUTS (SUPPLIED)(4) PLACES

DETAIL A  
SCALE 1 : 5

**NOTE:**

IF EQUIPED, RADAR MUST BE REMOVED BEFORE BUMPER INSTALLATION.

RADAR MUST BE ALIGNED AND RE-CALIBRATED AFTER BUMPER INSTALLATION.  
ALIGNMENT AND CALIBRATION CAN ONLY BE DONE BY AUTHORIZED PERSONNEL.

**MAGNUM TRAILER  
&  
EQUIPMENT INC.**



**FRACTIONS CHART**

1/32	.03125	9/32	.28125	17/32	.53125	25/32	.78125
1/16	.0625	5/16	.3125	9/16	.5625	13/16	.8125
3/32	.09375	11/32	.34375	19/32	.59375	27/32	.84375
1/8	.125	3/8	.375	5/8	.625	7/8	.875
5/32	.15625	13/32	.40625	21/32	.65625	29/32	.90625
3/16	.1875	7/16	.4375	11/16	.6875	15/16	.9375
7/32	.21875	15/32	.46875	23/32	.71875	31/32	.96875
1/4	.25	1/2	.5	3/4	.75		

UNLESS OTHERWISE SPECIFIED  
DIMENSIONS ARE IN INCHES  
TOLERANCES ARE:

FRACTIONS	ANGLES
+/- 1/16"	+/- 1°
.XX"	.XXX"
+/- 0.03"	+/- 0.005"

DIMENSIONS TO SHARP POINTS

SHEET NAME		TITLE	
RADAR INSTALL		17259 BUMPER ON VOLVO VNL	
CURRENT CUSTOMER	STOCK NUMBER	VENDOR NUMBER	WEIGHT - LB.
WO#	DRAWN BY MD	DRAWN DATE 2019-02-11	REV. A
SCALE 1:10	MODELLER MD	DRAWING NUMBER AA-51383	NUMBER OF SHEETS 3