

DO NOT REMOVE

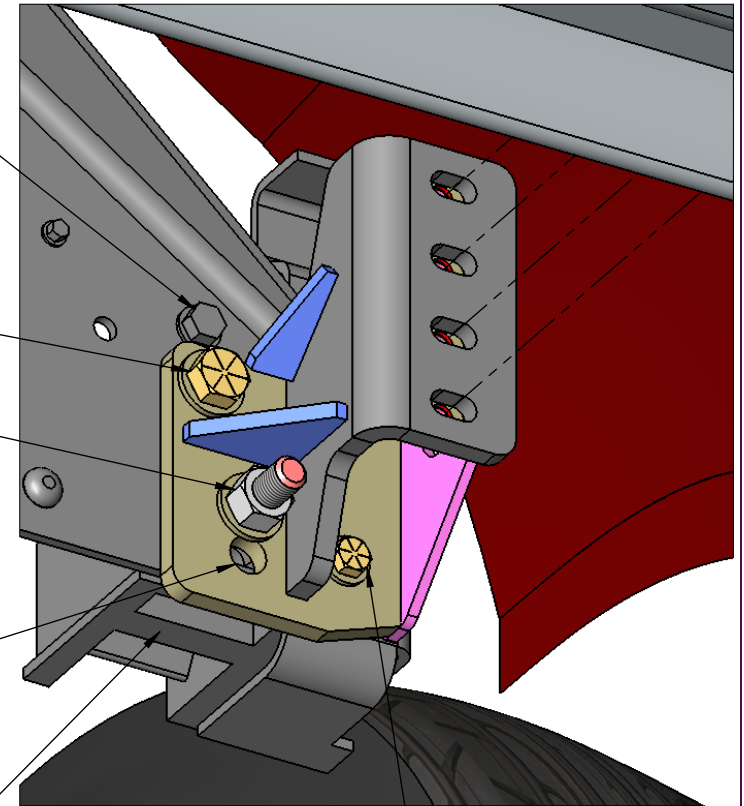
3/4" NC X 3" GR. 8
2 SAE WASHERS &
GR.C STOVER NUT
TYP (2)
(SUPPLIED)

3/4" SAE WASHER &
3/4" NC GR. C
STOVER NUT
TYP (2) (SUPPLIED)

USE THIS HOLE FOR
15L MODEL

REMOVE FASTENERS

INSERT THREADED BLOCK
INTO SLOT SHOWN



INSTALL THREADED PLATE &
REDI-ROD BEFORE INSTALLING
BRACKET TYP (2) (SUPPLIED)

1/2" NC X 2 1/4" GR. 8
2 SAE WASHERS &
GR.C STOVER NUT
TYP (4) (SUPPLIED)

NOTE:
13L CONFIGURATION SHOWN

**MAGNUM TRAILER
&
EQUIPMENT INC.**



FRACTIONS CHART

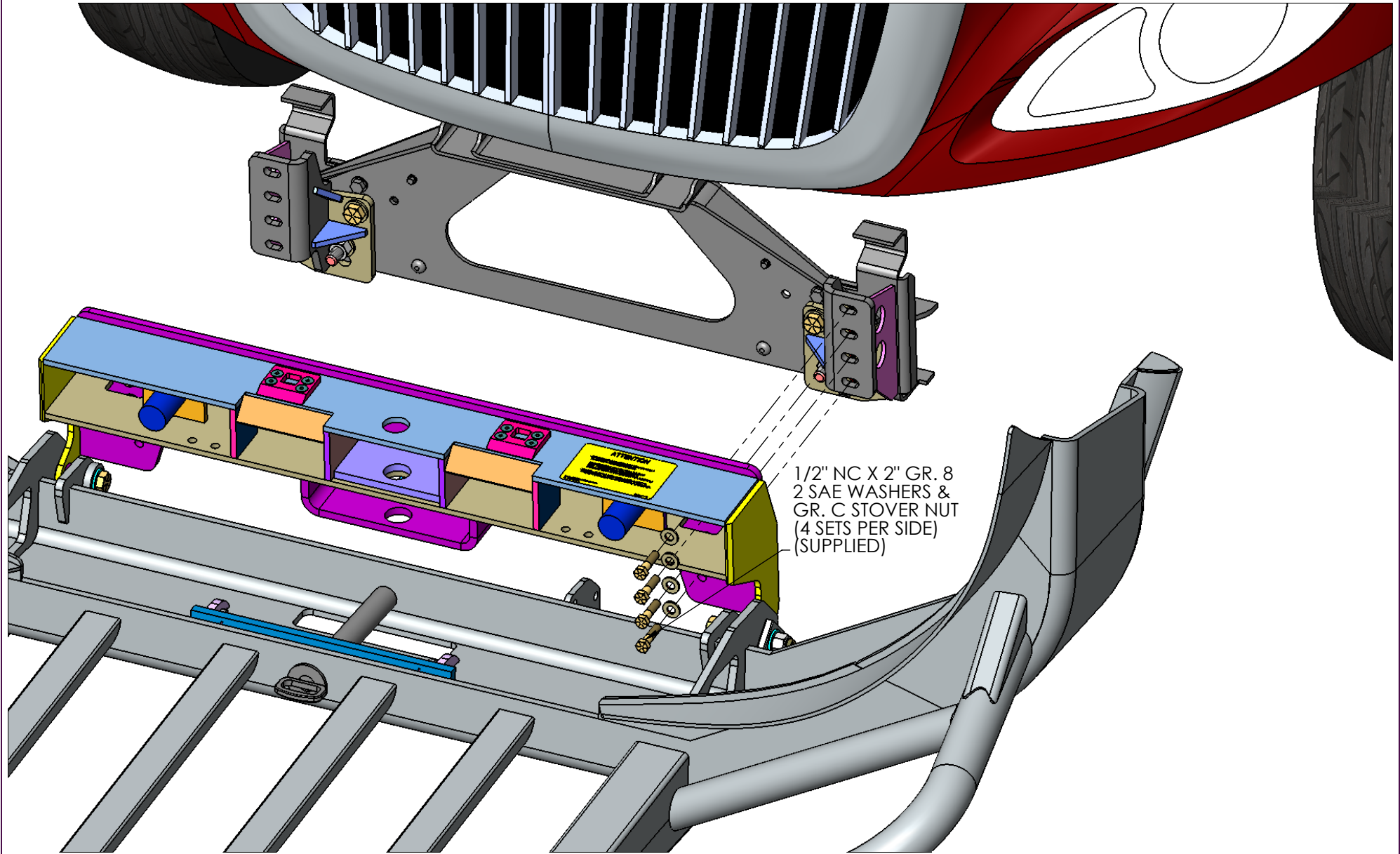
1/32	.03125	9/32	.28125	17/32	.53125	25/32	.78125
1/16	.0625	5/16	.3125	9/16	.5625	13/16	.8125
3/32	.09375	11/32	.34375	19/32	.59375	27/32	.84375
1/8	.125	3/8	.375	5/8	.625	7/8	.875
5/32	.15625	13/32	.40625	21/32	.65625	29/32	.90625
3/16	.1875	7/16	.4375	11/16	.6875	15/16	.9375
7/32	.21875	15/32	.46875	23/32	.71875	31/32	.96875
1/4	.25	1/2	.5	3/4	.75		

UNLESS OTHERWISE SPECIFIED
DIMENSIONS ARE IN INCHES
TOLERANCES ARE:

FRACTIONS ANGLES
+/- 1/16" +/- 1deg

DIMENSIONS TO SHARP POINTS

REV.	CHANGES OR ADDITIONS	DATE	REV. BY
SHEET NAME Sheet1		TITLE 17212 MOO BUMPER ASSEMBLY ON 2008 INTERNATIONAL PROS	
CURRENT CUSTOMER		STOCK NUMBER	VENDOR NUMBER
WO#		DRAWN BY	DRAWN DATE 1/5/2016
SCALE 1:4		MODELLER	DRAWING NUMBER AA-42342
		WEIGHT - LB. 391.	NUMBER OF SHEETS 2



1/2" NC X 2" GR. 8
2 SAE WASHERS &
GR. C STOVER NUT
(4 SETS PER SIDE)
(SUPPLIED)

**MAGNUM TRAILER
&
EQUIPMENT INC.**



FRACTIONS CHART

1/32	.03125	9/32	.28125	17/32	.53125	25/32	.78125
1/16	.0625	5/16	.3125	9/16	.5625	13/16	.8125
3/32	.09375	11/32	.34375	19/32	.59375	27/32	.84375
1/8	.125	3/8	.375	5/8	.625	7/8	.875
5/32	.15625	13/32	.40625	21/32	.65625	29/32	.90625
3/16	.1875	7/16	.4375	11/16	.6875	15/16	.9375
7/32	.21875	15/32	.46875	23/32	.71875	31/32	.96875
1/4	.25	1/2	.5	3/4	.75		

UNLESS OTHERWISE SPECIFIED
DIMENSIONS ARE IN INCHES
TOLERANCES ARE:

FRACTIONS ANGLES
+/- 1/16" +/- 1deg

DIMENSIONS TO SHARP POINTS

SHEET NAME

Sheet2

CURRENT CUSTOMER

WO#

SCALE

1:8

TITLE

17212 MOO BUMPER ASSEMBLY ON 2008 INTERNATIONAL PROS

STOCK NUMBER

VENDOR NUMBER

WEIGHT - LB.

391.

DRAWN BY

DRAWN DATE

1/5/2016

REV.

MODELLER

DRAWING NUMBER

AA-42342

NUMBER OF SHEETS

2