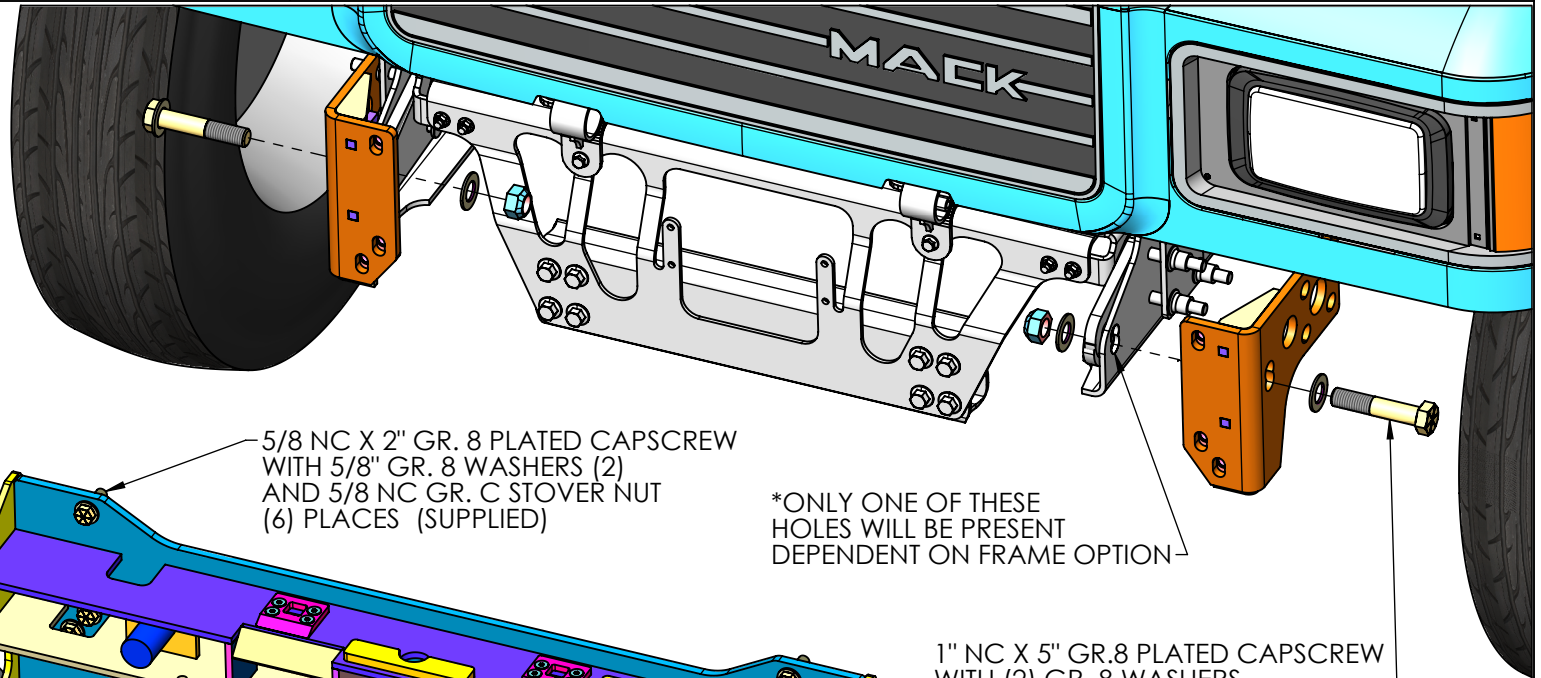


MOUNT BRACKETS ARE FITTED OVER COLLAR NUTS ON CHASSIS FASTENERS (4) EACH SIDE

INSTALL 1" BOLTS AND TIGHTEN SECURELY

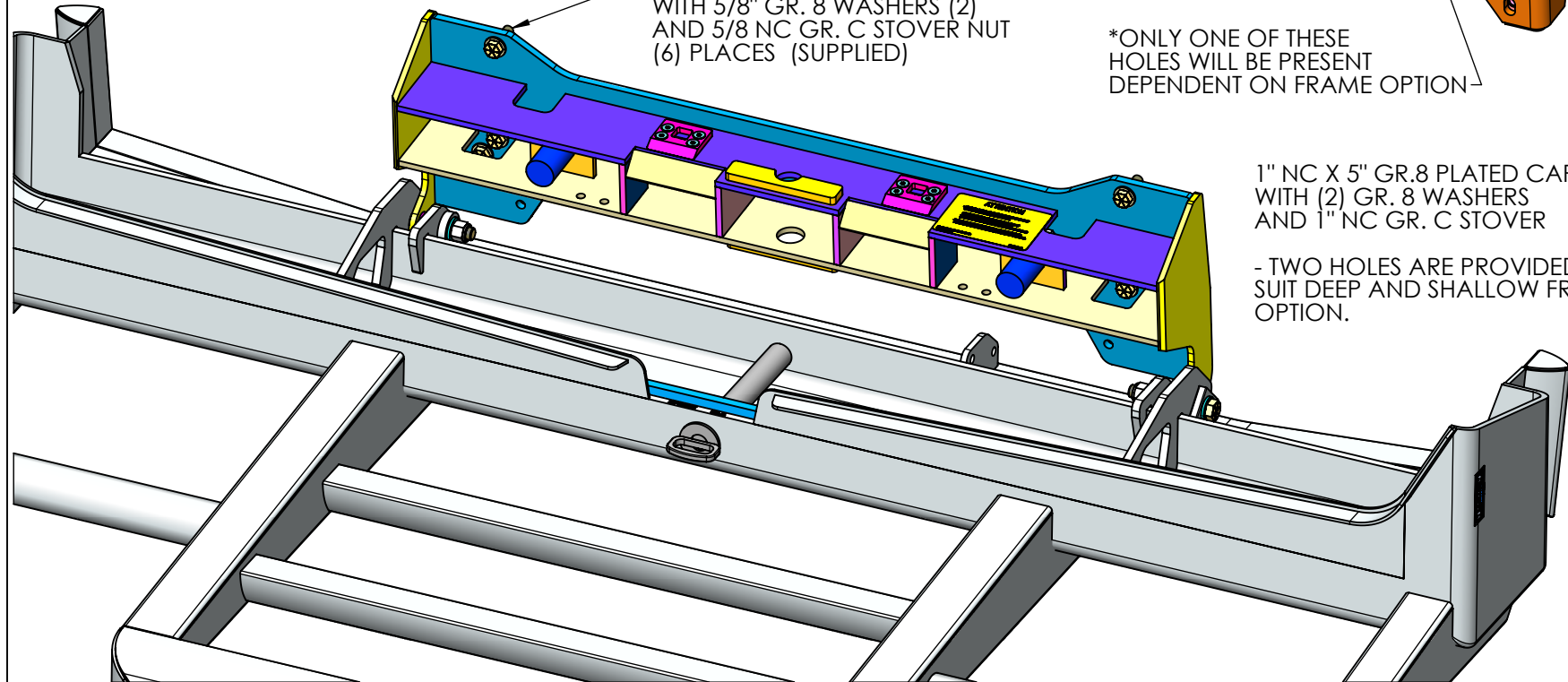


5/8 NC X 2" GR. 8 PLATED CAPSCREW WITH 5/8" GR. 8 WASHERS (2) AND 5/8 NC GR. C STOVER NUT (6) PLACES (SUPPLIED)

*ONLY ONE OF THESE HOLES WILL BE PRESENT DEPENDENT ON FRAME OPTION

1" NC X 5" GR.8 PLATED CAPSCREW WITH (2) GR. 8 WASHERS AND 1" NC GR. C STOVER

- TWO HOLES ARE PROVIDED TO SUIT DEEP AND SHALLOW FRAME OPTION.



MAGNUM TRAILER & EQUIPMENT INC.



FRACTIONS CHART

1/32	.03125	9/32	.28125	17/32	.53125	25/32	.78125
1/16	.0625	5/16	.3125	9/16	.5625	13/16	.8125
3/32	.09375	11/32	.34375	19/32	.59375	27/32	.84375
1/8	.125	3/8	.375	5/8	.625	7/8	.875
5/32	.15625	13/32	.40625	21/32	.65625	29/32	.90625
3/16	.1875	7/16	.4375	11/16	.6875	15/16	.9375
7/32	.21875	15/32	.46875	23/32	.71875	31/32	.96875
1/4	.25	1/2	.5	3/4	.75		

UNLESS OTHERWISE SPECIFIED DIMENSIONS ARE IN INCHES TOLERANCES ARE:

FRACTIONS	ANGLES
.XX"	.XXX"
+/- 0.03"	+/- 0.005"

DIMENSIONS TO SHARP POINTS

SHEET NAME	TITLE				
INSTALL	17158 BUMPER ON 2013 MACK CHU SFA				
CURRENT CUSTOMER	STOCK NUMBER	VENDOR NUMBER		WEIGHT - LB.	
WO#	DRAWN BY	DRAWN DATE	CHECKED BY	CHECKED DATE	REV.
	GW	6/26/2013	LS	1/23/2020	A
SCALE	MODELLER	DRAWING NUMBER			NUMBER OF SHEETS
1:10	GW	AA-30789			1