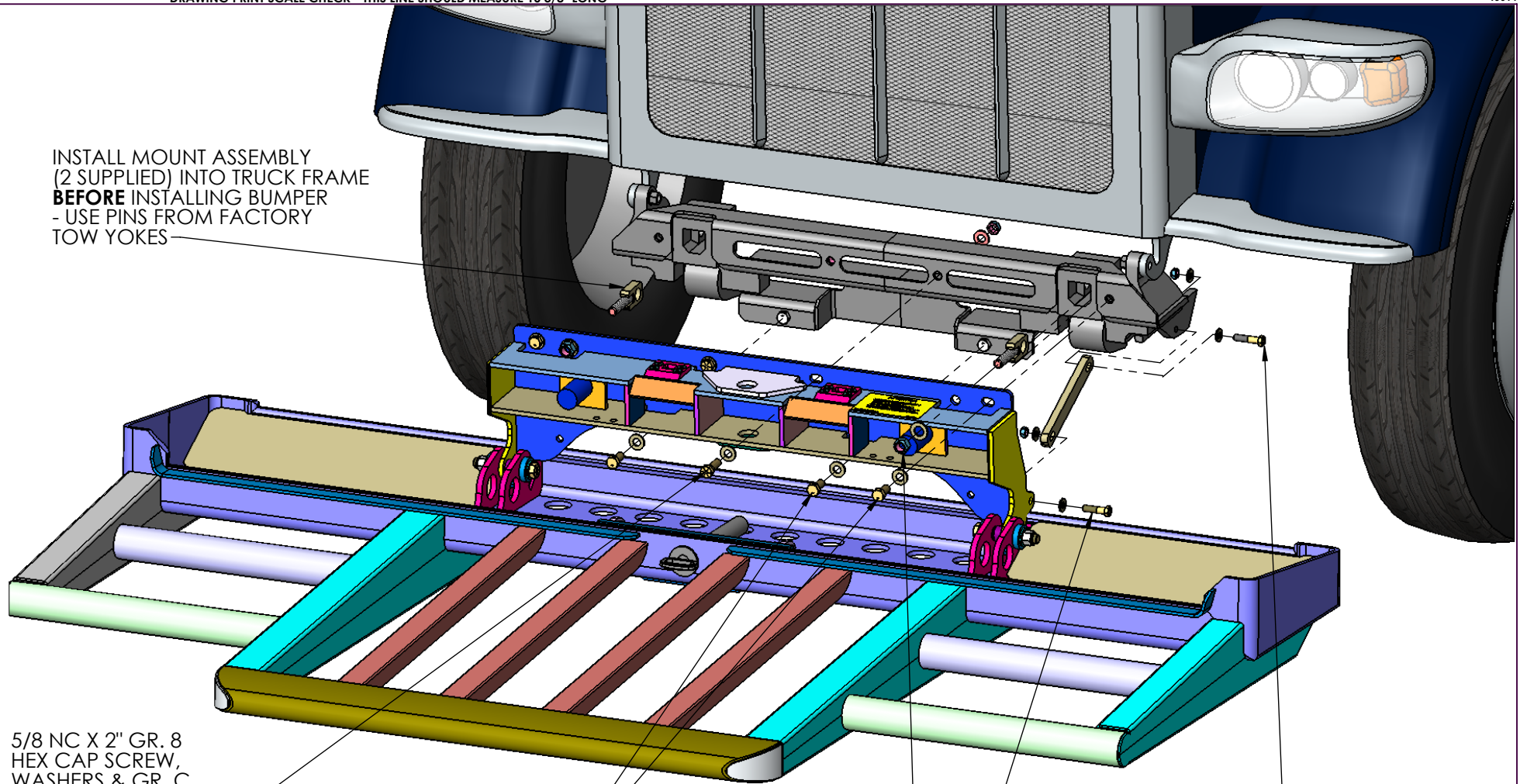


INSTALL MOUNT ASSEMBLY
(2 SUPPLIED) INTO TRUCK FRAME
BEFORE INSTALLING BUMPER
- USE PINS FROM FACTORY
TOW YOKES



5/8 NC X 2" GR. 8
HEX CAP SCREW,
WASHERS & GR. C
STOVER NUT
(NOT SUPPLIED)
TYP (2)

M16 X 2 X 35 HEX CAP SCREWS
CL 10.9 & METRIC WASHER
(NOT SUPPLIED) TYP (4)

3/4 NC STOVER NUT GR. C
& WASHER (SUPPLIED)
TYP (2)

1/2 NC X 2 1/2" GR. 8
HEX CAP SCREW,
WASHERS & GR. C
STOVER NUT
(SUPPLIED)
TYP (2)

1/2 NC X 2 1/2" GR. 8
HEX CAP SCREW,
WASHERS & GR. C
STOVER NUT
(NOT SUPPLIED)
TYP (2)

**MAGNUM TRAILER
&
EQUIPMENT INC.**



FRACTIONS CHART

1/32	.03125	9/32	.28125	17/32	.53125	25/32	.78125
1/16	.0625	5/16	.3125	9/16	.5625	13/16	.8125
3/32	.09375	11/32	.34375	19/32	.59375	27/32	.84375
1/8	.125	3/8	.375	5/8	.625	7/8	.875
5/32	.15625	13/32	.40625	21/32	.65625	29/32	.90625
3/16	.1875	7/16	.4375	11/16	.6875	15/16	.9375
7/32	.21875	15/32	.46875	23/32	.71875	31/32	.96875
1/4	.25	1/2	.5	3/4	.75		

UNLESS OTHERWISE SPECIFIED
DIMENSIONS ARE IN INCHES
TOLERANCES ARE:

FRACTIONS ANGLES
+/- 1/16" +/- 1deg

DIMENSIONS TO SHARP POINTS

SHEET NAME

Sheet1

CURRENT CUSTOMER

WO#

SCALE

1:12

TITLE

17058 BUMPER ON 2007 PETERBILT 388/389

STOCK NUMBER

VENDOR NUMBER

WEIGHT - LB.

369.

DRAWN BY

GW

DRAWN DATE

3/28/2008

REV.

MODELLER

GW

DRAWING NUMBER

AA-19014

NUMBER OF SHEETS

1