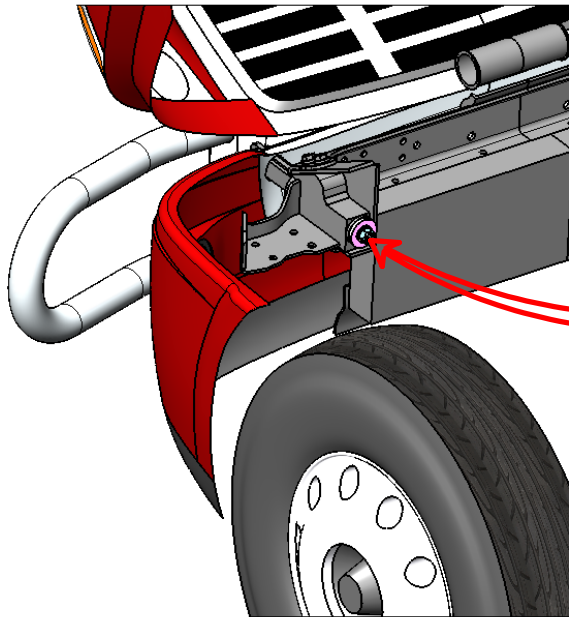
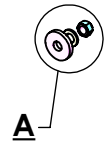
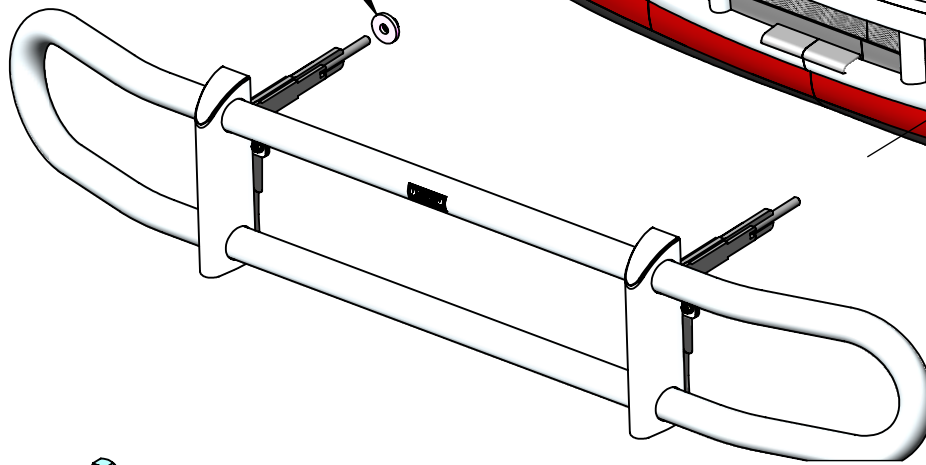
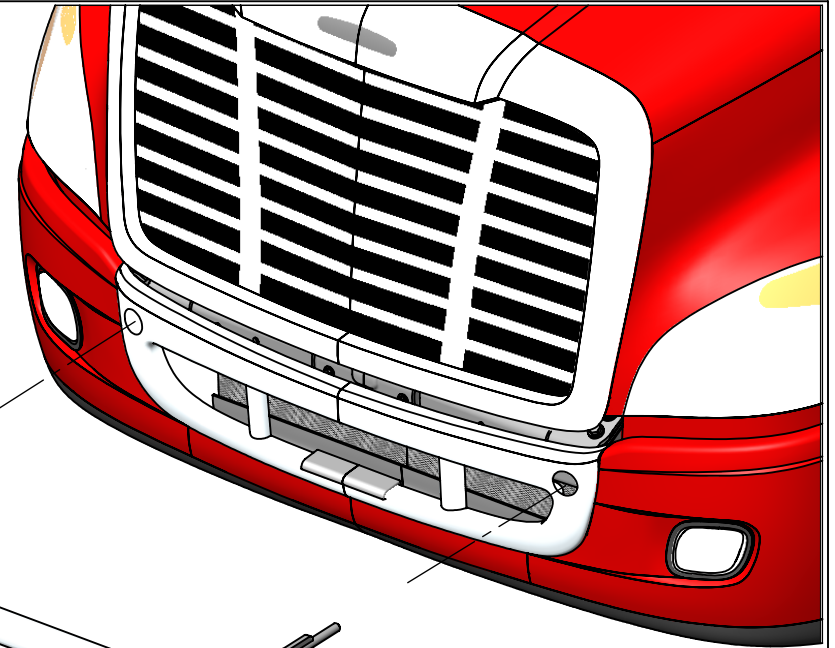


INSTALL STEPS

- 1) REMOVE NUTS AND WASHERS FROM STUDS - 2 PLACES.
- 2) WITH BUMPER ASSEMBLED SLIDE STEEL BRACKETS INTO TOW SOCKETS IN TRUCK.
- 3) OPEN TRUCK HOOD AND INSTALL NUTS AND WASHERS SHOWN IN DETAIL A
- 4) FULLY TIGHTEN NUTS. TORQUE = 375 FT./LB.
- 5) USE BUMPER BRACKET BOLTS TO ADJUST ALUMINUM ALIGNMENT IF REQUIRED. RETIGHTEN WHEN COMPLETE.
- 6) CLOSE HOOD. INSTALL IS COMPLETE

NUTS AND WASHERS ARE INSTALLED AFTER BUMPER IS "PLUGGED" INTO TOW SOCKETS SEE DETAIL "A"



DETAIL A

MAGNUM TRAILER & EQUIPMENT INC.



FRACTIONS CHART

1/32	.03125	9/32	.28125	17/32	.53125	25/32	.78125
1/16	.0625	5/16	.3125	9/16	.5625	13/16	.8125
3/32	.09375	11/32	.34375	19/32	.59375	27/32	.84375
1/8	.125	3/8	.375	5/8	.625	7/8	.875
5/32	.15625	13/32	.40625	21/32	.65625	29/32	.90625
3/16	.1875	7/16	.4375	11/16	.6875	15/16	.9375
7/32	.21875	15/32	.46875	23/32	.71875	31/32	.96875
1/4	.25	1/2	.5	3/4	.75		

UNLESS OTHERWISE SPECIFIED DIMENSIONS ARE IN INCHES TOLERANCES ARE:

FRACTIONS ANGLES
+/- 1/16" +/- 1deg

DIMENSIONS TO SHARP POINTS

SHEET NAME Sheet1		TITLE 17213 BUMPER ON FREIGHTLINER CASCADIA 2008		
CURRENT CUSTOMER	STOCK NUMBER	VENDOR NUMBER	WEIGHT - LB. 90.8	
WO#	DRAWN BY BNS	DRAWN DATE 2/9/2016		REV.
SCALE 1:4	MODELLER BNS	DRAWING NUMBER AA-42718		NUMBER OF SHEETS 1